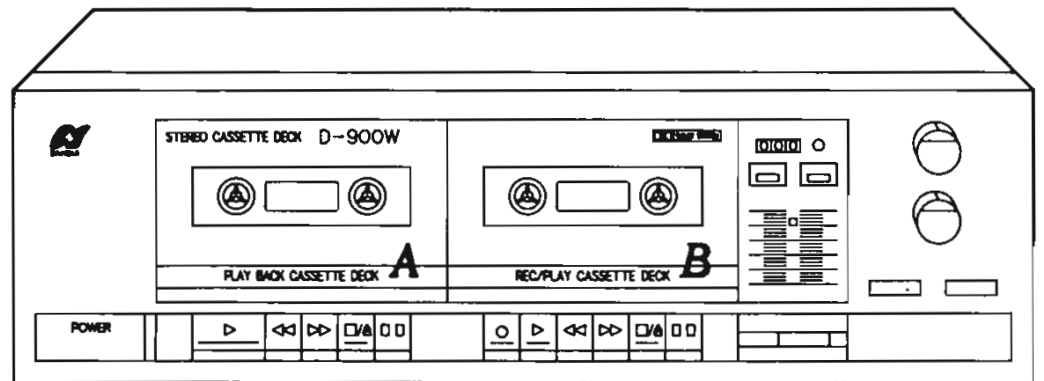




SERVICE MANUAL

D-900W STEREO CASSETTE DECK



CAUTION

1. Parts identified by the \triangle symbol on the schematic diagram and the parts list are critical for safety. Use only replacement parts that have critical characteristics recommended by the manufacturer.
2. Make leakage-current or resistance measurements to determine that exposed parts are acceptably insulated from the supply circuit before returning the appliance to the customer.

● SPECIFICATIONS

| | |
|---|--|
| Track format | 4-track/2-channel system |
| Tape speed | 4.75 cm/sec |
| Heads | |
| Rec/play head | HIGH-Bs hard permalloy |
| Play head | HIGH-Bs hard permalloy |
| Erase head | Double-gap HIGH-Bs ferrite |
| Motor | Electronically controlled DC motor x 2 |
| | Reels: DC Motor x 2 |
| Wow/flutter | 0.2% max (WRMS) |
| Fast forwarding (rewinding) | |
| time | Approx. 140 sec. (for C-60 tape) |
| Frequency response (-20 UV recording/playback) | |
| Normal tape (LH) . . . | 50 to 13,000 Hz \pm 3dB |
| Chrome tape | 50 to 15,000 Hz \pm 3dB |
| Metal tape | 50 to 15,000 Hz \pm 3dB |

| | |
|---|------------------------------------|
| Signal-to-noise ratio (recording/playback with metal tape) | |
| DOLBY NR OFF . . . | Better than 45dB |
| DOLBY-B NR ON . . | Better than 55 dB |
| Erase rate (metal tape) . | More than 70 dB at 1 kHz |
| Recording bias frequency | 105 kHz |
| Input sensitivity/Impedance | |
| LINE IN (REC) | 60mV/47 kohms |
| Power requirements . . . | 120V220 ~240V |
| | 50/60 Hz |
| | For U.S.A. and Canada 120V (60 Hz) |
| Power consumption . . . | 13 watts |
| Dimensions | 430 mm (16-15/16") W |
| | 127 mm (5") H |
| | 228 mm (8-31/32") D |
| Weight | 3.6 kg (7.9 lbs) net |
| | 4.5 kg (9.9 lbs) packed |

- * Design and specifications subject to changes without notice for improvements.
- * Due to local laws and regulations, this unit sold in some areas is not equipped with variable voltage selector.
- * Dolby noise reduction system manufactured under license from Dolby Laboratories Licensing Corporation "Dolby" and the double D symbol are trade marks of Dolby Laboratories Licensing Corporation.

NOTE

1. The symbols, UL, CSA, SA, BS, UK, EU, AS, SEV, SS, XX (EXPORT) and XX-V (EXPORT (V)) on the parts list and the schematic diagram mean followings respectively.

UL Manufactured for U.S.A market.
(Underwriters Laboratories approved model.)

CSA Manufactured for Canadian market.

SA Manufactured for South African market.

BS, UK Manufactured for United Kingdom market

EU Manufactured for European market.

AS Manufactured for Australian market.

SEV Manufactured for Swiss market.

SS Manufactured for Saudi Arabia market.

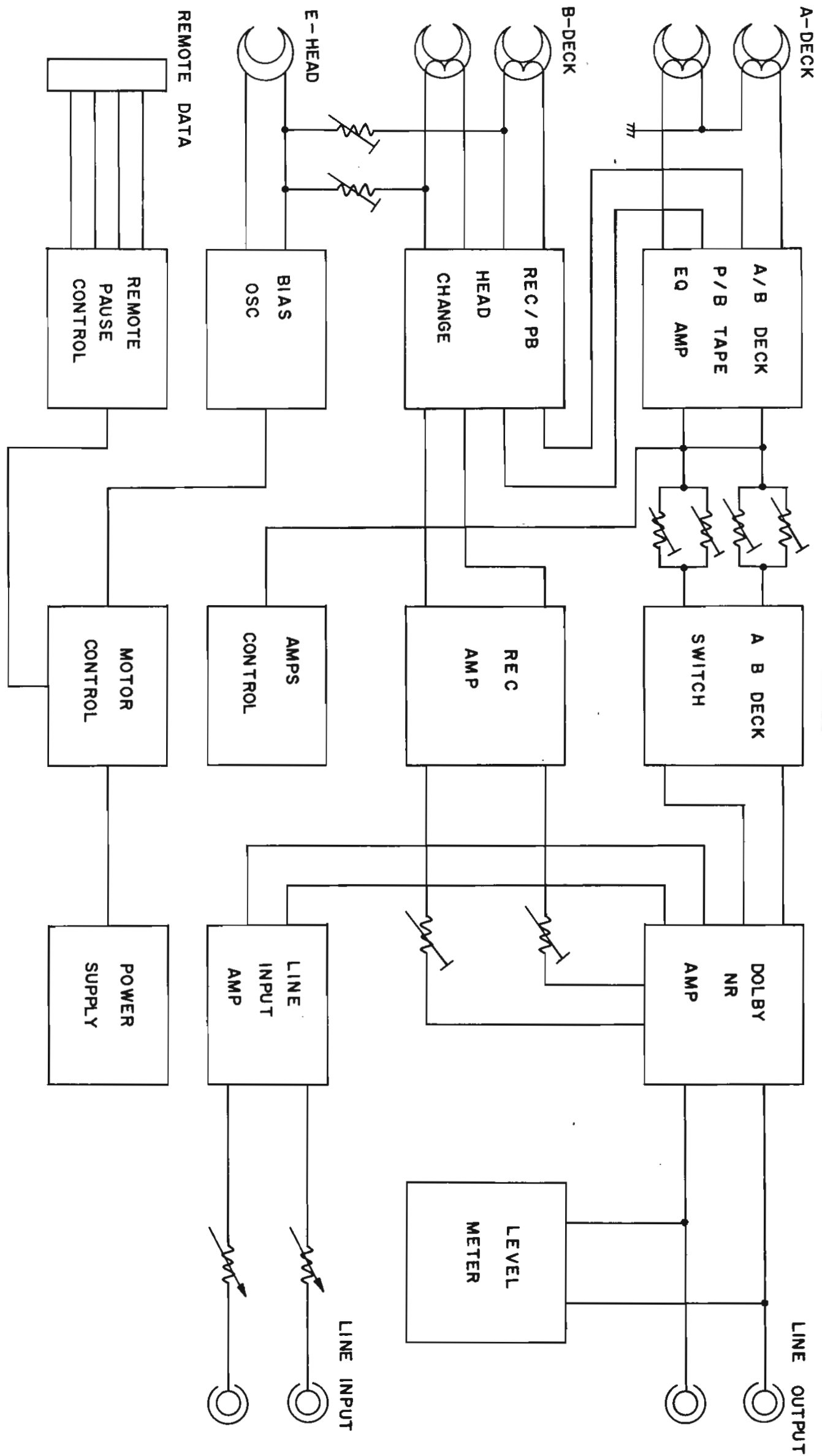
XX (EXPORT) Standard Version with Inner Voltage
Selector.

XX-V (EXPORT(V))... Standard Version with Outer Voltage Selector.

NON MARK. Common Parts.

2. Some printed circuit boards are not supplied assembled. To separate these in this service manual, the stock numbers are not indicated for these boards. However, stock numbers for individual parts are indicated.
3. Since some capacitors and resistors are omitted from parts lists in this service manual, refer to the Common Parts List for capacitors and resistors, which was issued on March 1987.

1. BLOCK DIAGRAM



2. SPECIFICATION OF ADJUSTMENT

PLAY-BACK

(1) MAGNETIC HEAD ADJUSTMENT

1. CONNECT 2-CH VTVM AND OSCILLOSCOPE TO OUTPUT L AND R.
2. SET TO PLAY AND DOLBY SWITCH TO "OFF" POSITION.
3. PLAY 12.5KHz AZIMUTH TEST TAPE. (MTT-114NA)
4. USING THE ADJUSTMENT SCREW TO THE LEFT OF THE MAGNETIC HEAD, ADJUST FOR MAXIMUM VOLTAGE AND SAME PHASE.
5. AFTER ALIGNMENT, LOCK THE ADJUSTING SCREW IN POSITION USING LOCKING COMPOUND.

(2) PLAYBACK LEVEL ADJUSTMENT

PLAY BACK LEVEL MEANS OUTPUT LEVEL OF DOLBY IC WHEN PLAY DOLBY-LEVEL SET TAPE (MTT-150-200nWb/m)

A. DECK

THE ADJUSTMENTS ARE LOCATED ON THE TAPE CIRCUIT BOARD AND EACH CHANNEL MUST BE PERFORM THE OUTPUT LEVEL ADJUSTMENT AS FOLLOWS.

1. SET TO PLAY AND DOLBY SWITCH TO "OFF" POSITION.
2. CONNECT A VTVM AND AN OSCILLOSCOPE TO TAPE OUTPUT JACK.
3. PLAY DOLBY LEVEL SET TAPE (MTT-150).
4. ADJUST THE LEVEL TO $500\text{mV} \pm 0.25\text{dB}$, USING SVR 502 (R-CH552) BUT WHEN ADJUSTMENTS.
5. REPEAT ABOVE PROCEDURE FOR THE OTHER CHANNEL.

B. DECK

THE ADJUSTMENTS ARE LOCATED ON THE TAPE CIRCUIT BOARD AND EACH CHANNEL MUST BE PERFORM THE OUTPUT LEVEL ADJUSTMENT AS FOLLOWS.

1. SET TO PLAY AND DOLBY SWITCH TO "OFF" POSITION.
2. CONNECT A VTVM AND AN OSCILLOSCOPE TO TAPE OUTPUT JACK.
3. PLAY DOLBY LEVEL SET TAPE (MTT-150).
4. ADJUST THE LEVEL TO $500\text{mV} \pm 0.25\text{dB}$, USING SVR 501 (R-CH SVR551).
5. REPEAT ABOVE PROCEDURE FOR THE OTHER CHANNEL.

REC-PLAY

(1) RECORDING SIGNAL CURRENT ADJUSTMENT

1. SET TO RECORD, Nor/CrO₂/METAL SWITCH TO "OFF", AND DOLBY SWITCH TO "OFF" POSITION.
2. DISCONNECT THE +B LINE FROM OSCILLATOR SO THAT IT CAN NOT OSCILLATE WHILE RECORDING (IT CAN BE DONE EASILY BY TAKING LEAD FASTEN OF +B LINE OFF)
3. CONNECT THE VTVM AND THE OSCILLOSCOPE BETWEEN TP1 (R-CH TP2) AND GROUND.
4. SUPPLY DOLBY-LEVEL INPUT SIGNAL OF 400Hz 60mV. (VOL. MAX.)
5. ADJUST SVR 602 (R-CH 652) UNTIL VTVM INDICATES 5.8mV OF READING.
6. REPEAT ABOVE PROCEDURE FOR THE OTHER CHANNEL.

(2) PEAKING COIL ADJUSTMENT NOR SPEED (HIGH SPEED)

1. SET TO RECORD AND DOLBY SWITCH TO "OFF" POSITION.
2. DISCONNECT THE +B LINE FROM OSCILLATION SO THAT IT CAN NOT OSCILLATE WHILE RECORDING (IT CAN BE DONE EASILY BY TAKING LEAD FASTEN OF +B LINE).
3. CONNECT THE VTVM AND THE OSCILLOSCOPE BETWEEN TP1 AND GROUND.
4. SUPPLY 60mV SIGNAL OF 1KHz THROUGH INPUT AND ADJUST RECORD LEVEL CONTROL FOR VU METER INDICATE -25dB.
5. CHANGE SIGNAL FROM 1KHz TO 14.5KHz (24KHz).
6. ADJUST L605 (L603) FOR VTVM INDICATE MAXIMUM LEVEL AT 14.5KHz, (24KHz).
7. REPEAT ABOVE PROCEDURE FOR OTHER CHANEL (L606/L604).
8. HIGH SPEED PEAKING ADJUSTMENT AND HIGH SPEED SWITCH TO "ON" POSITION.

(3) BIAS TRAP COIL ADJUSTMENT

1. SET TO RECORD, DOLBY SWITCH TO "OFF" POSITION AND Nor/CrO₂/METAL FOR "NORMAL" POSITION.
2. CONNECT THE VTVM AND OSCILLOSCOPE BETWEEN TP 3(R-CH TP4) AND GROUND.
3. ADJUST L602 (R-CH L652) FOR VTVM INDICATE MINIMUM LEVEL.
4. REPEAT ABOVE PROCEDURE FOR OTHER CHANEL.

(4) BIAS FREQUENCY ADJUSTMENT

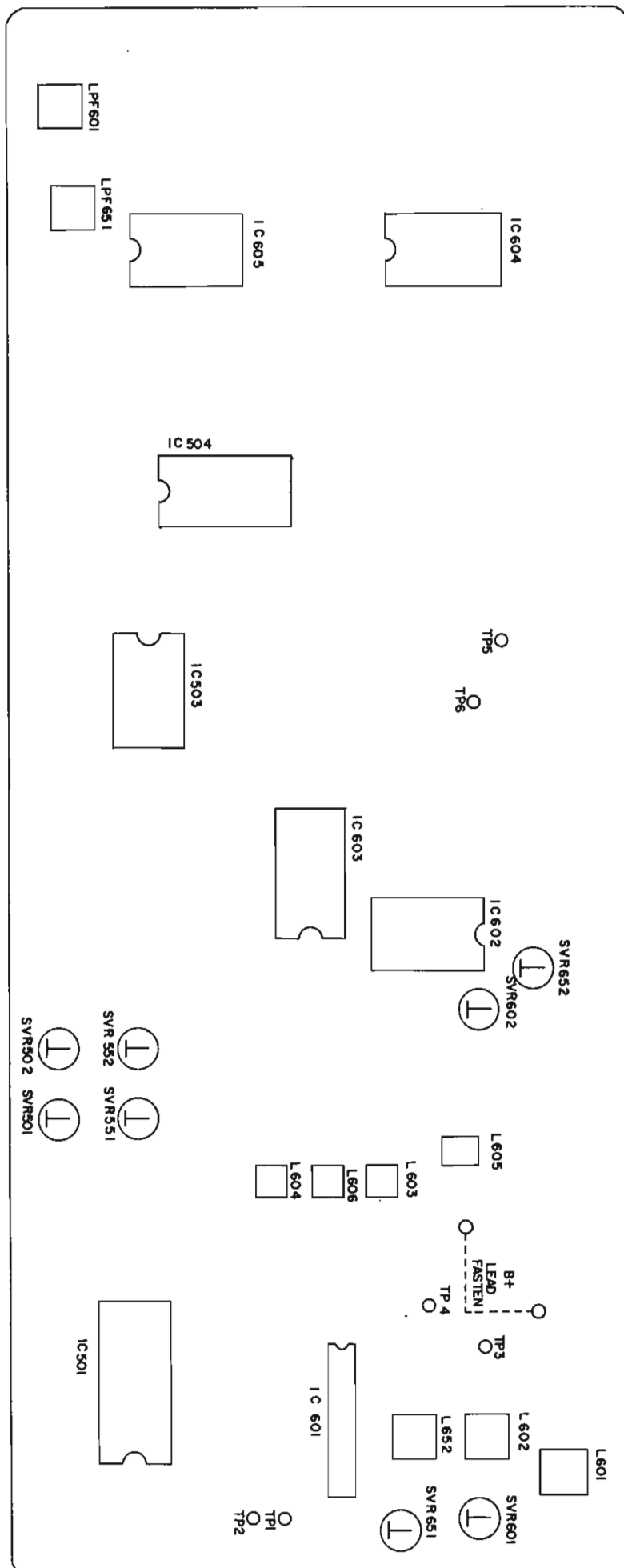
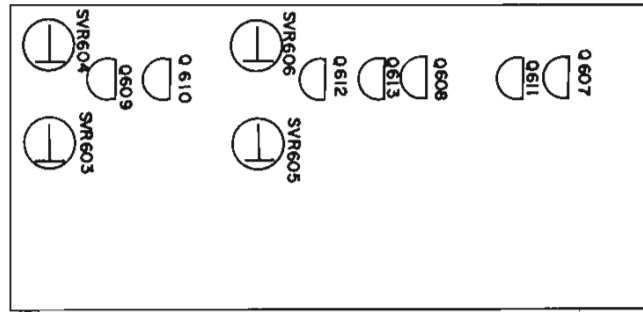
1. SET TO RECORD AND Nor/CrO₂/METAL TO "NORMAL" POSITION.
2. INPUT SIGNAL IS NOT NECESSARY FOR THIS ADJUSTMENT.
3. CONNECT THE FREQUENCY COUNTER TO TP1 (R-CH TP2) AND GROUND.
4. ADJUST L601 FOR A READING OF 105KHz ON THE COUNTER.

(5) BIAS CURRENT ADJUSTMENT

1. SET TO RECORD AND DOLBY SWITCH TO "OFF" POSITION.
2. CONNECT THE VTVM AND OSCILLOSCOPE BETWEEN TP1 (R-CH TP2) AND GROUND.
3. SET Nor/CrO₂/METAL FOR "METAL" POSITION.
4. ADJUST SVR 601 (R-CH SVR651) UNTIL VTVM INDICATES 92mV OF READING.
5. REPEAT ABOVE PROCEDURE FOR THE OTHER CHANNEL.

* WHEN SELECTOR SWITCH OF TAPE CHANGED CrO₂ AND NORMAL, CHECKED VOLTAGE VARIATION CrO₂ ABOUT 62mV, NORMAL IS ABOUT 46mV.

3. ALIGNMENT POINT LOCATION

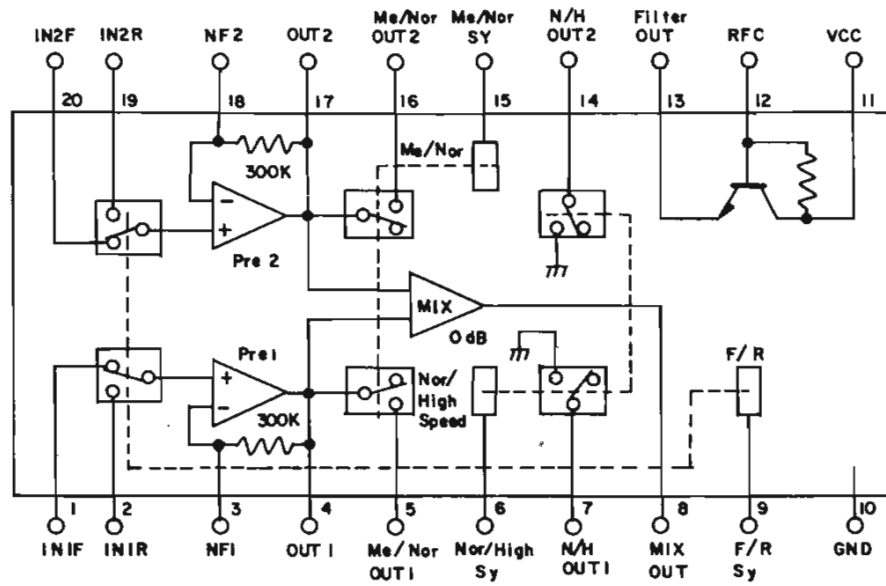


- SVR 502 : DECK - A L-CH OUTPUT LEVEL (LINE OUTPUT JACK - L)
- SVR 552 : DECK - A R-CH OUTPUT LEVEL (LINE OUTPUT JACK - R)
- SVR 501 : DECK - B L-CH OUTPUT LEVEL (LINE OUTPUT JACK - L)
- SVR 551 : DECK - B R-CH OUTPUT LEVEL (LINE OUTPUT JACK - R)
- SVR 602 : SIGNAL CURRENT (L-CH) - TP1
- SVR 652 : SIGNAL CURRENT (R-CH) - TP2
- SVR 601 : BIAS CURRENT (L-CH) - TP1
- SVR 651 : BIAS CURRENT (R-CH) - TP2
- SVR 604 : DECK - A NORMAL SPEED (TP1)
- SVR 603 : DECK - A HIGH SPEED (TP2)
- SVR 606 : DECK - B NORMAL SPEED (TP1)
- SVR 605 : DECK - B HIGH SPEED (TP2)

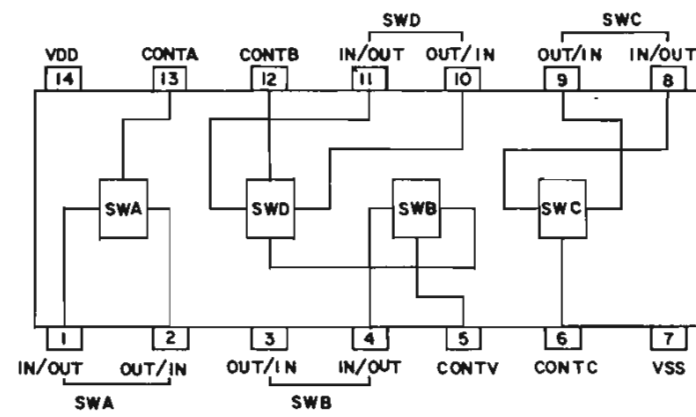
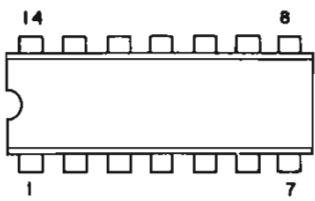
- L601 : BIAS OSC COIL (TP1 & TP2)
- L602 : L-CH TRAP COIL (TP3)
- L652 : R-CH TRAP COIL (TP4)
- L605 : NORMAL L-CH PEACKING COIL (TP3)
- L603 : HIGH L-CH PEACKING COIL (TP3)
- L606 : NORMAL R-CH PEACKING COIL (TP4)
- L604 : HIGH R-CH PEACKING COIL (TP4)
- L601 : L-CH LOW PASS FILTER (19 KHZ/105KHZ) - TP5
- L602 : R-CH LOW PASS FILTER (19KHZ/105 KHZ) - TP6

4. IC LEAD LAYOUT

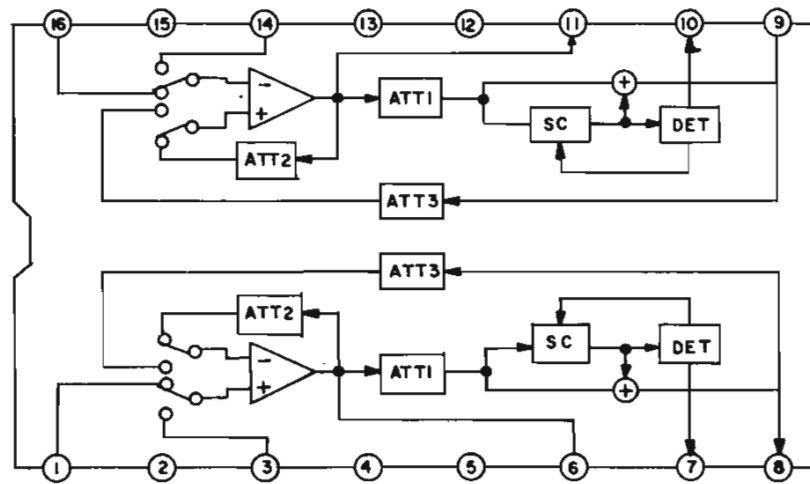
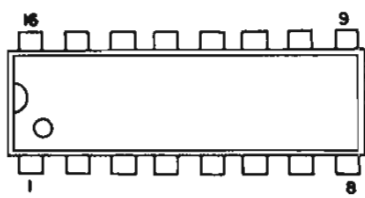
LA 3246



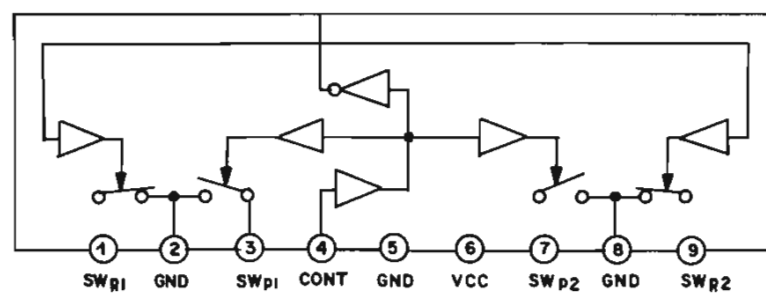
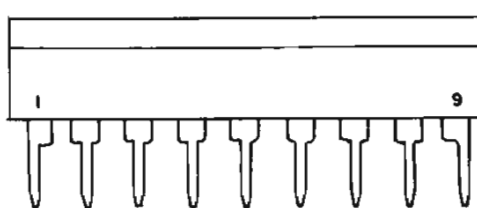
LC 4966



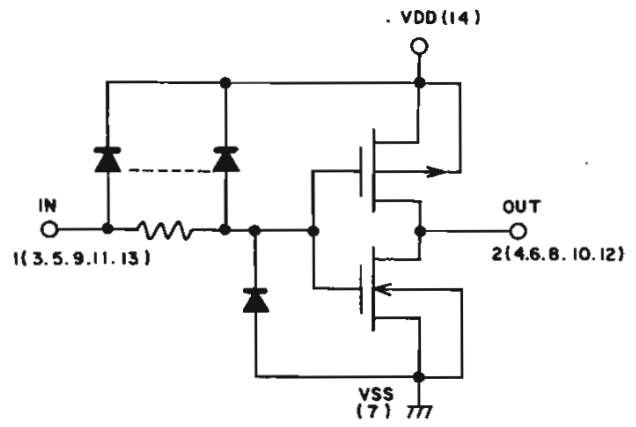
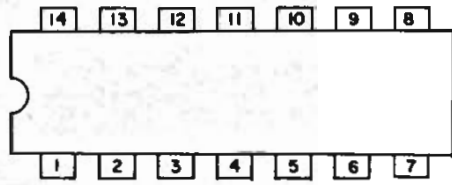
CXA1101



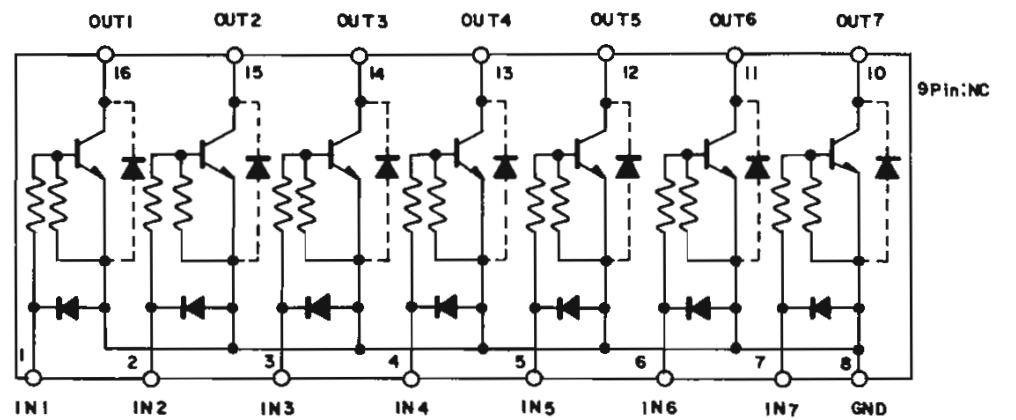
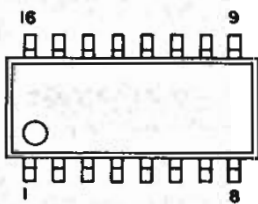
UPC1330



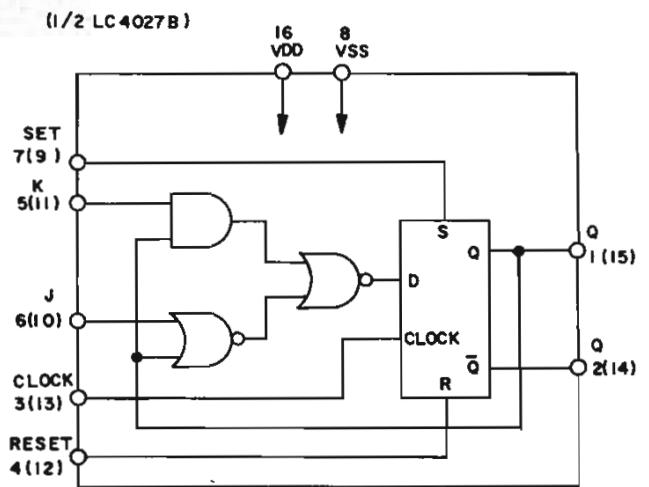
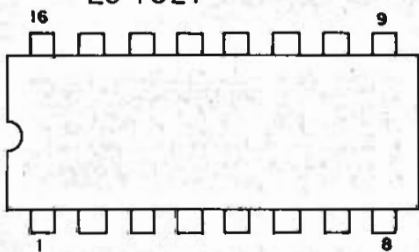
LC 4069 UB



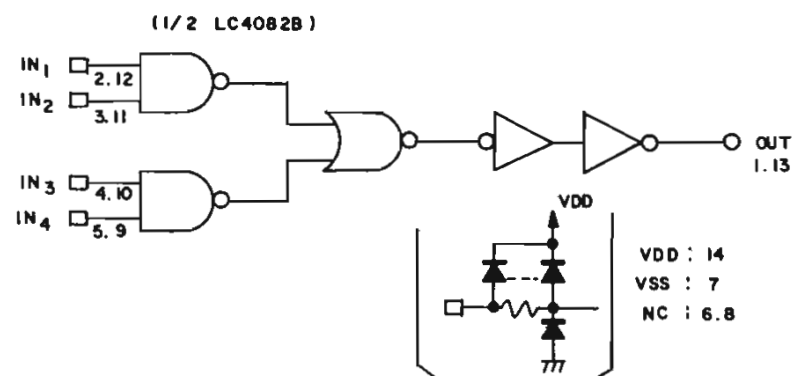
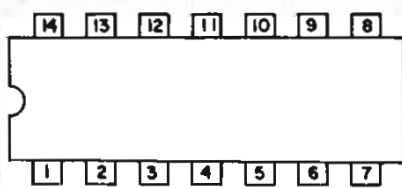
LBI213



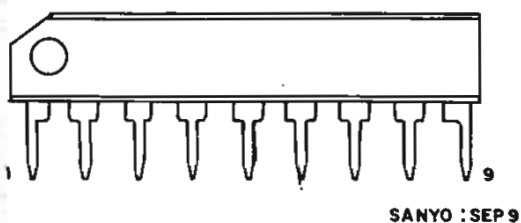
LC 4027



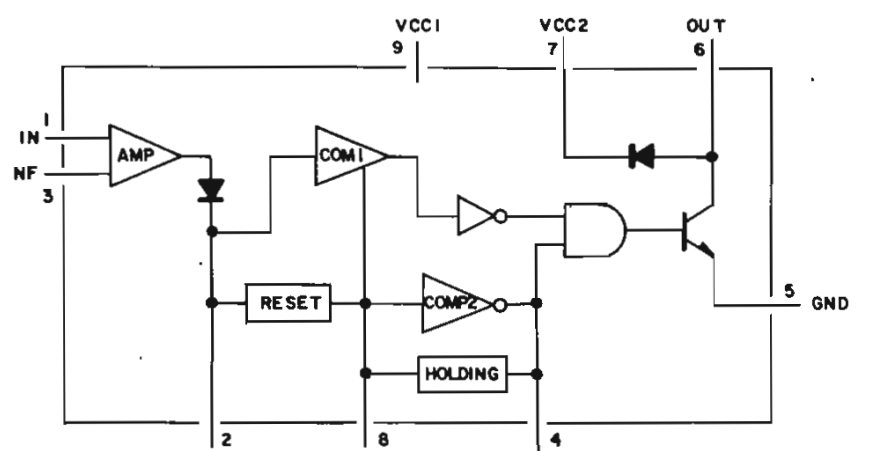
LC 4082



LA 2010



SANYO : SEP 9



5. IC VOLTAGE TABLE

IC 503 LC 4966

| | | | | | | | | | | | | | | | | | | |
|---|---|---|---|---|---|---|---|---|----|----|------|------|-------|--|--|--|--|--|
| 1 | 2 | 3 | 4 | 5 | 6 | 7 | 8 | 9 | 10 | 11 | 12 | 13 | 14 | | | | | |
| 0 | 0 | 0 | 0 | 0 | 0 | 0 | 0 | 0 | 0 | 0 | 11.4 | 11.4 | 11.53 | | | | | |

IC 502 CXA 1101

| | | | | | | | | | | | | | | | | | | |
|------|-------|------|------|-------|------|------|------|------|------|-----|------|------|------|----|------|--|--|--|
| 1 | 2 | 3 | 4 | 5 | 6 | 7 | 8 | 9 | 10 | 11 | 12 | 13 | 14 | 15 | 16 | | | |
| 5.64 | 11.12 | 5.66 | 5.67 | 11.51 | 5.91 | 0.48 | 5.77 | 5.74 | 0.40 | 5.8 | 0.01 | 5.67 | 5.66 | 0 | 5.65 | | | |

IC 505 KA 2284

| | | | | | | | | | | | | | | | | | | |
|------|-------|-------|-------|---|-------|---|---|-------|--|--|--|--|--|--|--|--|--|--|
| 1 | 2 | 3 | 4 | 5 | 6 | 7 | 8 | 9 | | | | | | | | | | |
| 10.1 | 10.12 | 10.12 | 10.14 | 0 | 10.11 | 0 | 0 | 11.49 | | | | | | | | | | |

IC 555 KA 2284

| | | | | | | | | | | | | | | | | | | |
|-------|-------|-------|-------|---|-------|---|---|------|--|--|--|--|--|--|--|--|--|--|
| 1 | 2 | 3 | 4 | 5 | 6 | 7 | 8 | 9 | | | | | | | | | | |
| 10.09 | 10.11 | 10.11 | 10.07 | 0 | 10.09 | 0 | 0 | 11.5 | | | | | | | | | | |

IC 504 LC 4069BU

| | | | | | | | | | | | | | | | | | | |
|---|-----|---|-----|---|-----|---|-----|-----|----|-----|-----|----|-----|--|--|--|--|--|
| 1 | 2 | 3 | 4 | 5 | 6 | 7 | 8 | 9 | 10 | 11 | 12 | 13 | 14 | | | | | |
| 0 | 5.2 | 0 | 5.2 | 0 | 5.2 | 0 | 4.4 | 0.5 | 0 | 5.2 | 5.2 | 0 | 5.2 | | | | | |

IC 506 LC 4082B

| | | | | | | | | | | | | | | | | | | |
|---|---|---|-----|-----|---|---|---|-----|-----|-----|-----|----|-----|--|--|--|--|--|
| 1 | 2 | 3 | 4 | 5 | 6 | 7 | 8 | 9 | 10 | 11 | 12 | 13 | 14 | | | | | |
| 0 | 0 | 0 | 5.2 | 5.2 | 0 | 0 | 0 | 5.2 | 5.2 | 5.2 | 5.2 | 0 | 5.2 | | | | | |

IC 507 LC 4027

| | | | | | | | | | | | | | | | | | | |
|---|------|------|------|------|------|---|---|---|------|------|------|------|------|----|------|--|--|--|
| 1 | 2 | 3 | 4 | 5 | 6 | 7 | 8 | 9 | 10 | 11 | 12 | 13 | 14 | 15 | 16 | | | |
| 0 | 11.7 | 11.6 | 11.7 | 11.7 | 11.7 | 0 | 0 | 0 | 11.7 | 11.7 | 11.6 | 11.7 | 11.7 | 0 | 11.7 | | | |

IC 508 LA 2010

| | | | | | | | | | | | | | | | | | | |
|---|---|---|---|---|---|---|---|---|--|--|--|--|--|--|--|--|--|--|
| 1 | 2 | 3 | 4 | 5 | 6 | 7 | 8 | 9 | | | | | | | | | | |
| 0 | 0 | 0 | 0 | 0 | 0 | 0 | 0 | 0 | | | | | | | | | | |

IC 601 UPC 1330HC

| | | | | | | | | | | | | | | | | | | |
|---|---|---|------|---|-------|---|---|---|----|----|----|----|--|--|--|--|--|--|
| 1 | 2 | 3 | 4 | 5 | 6 | 7 | 8 | 9 | 10 | 11 | 12 | 13 | | | | | | |
| 0 | 0 | 0 | 0.04 | 0 | 10.62 | 0 | 0 | 0 | | | | | | | | | | |

IC 501 LA 3246

| | | | | | | | | | | | | | | | | | | |
|-------|-------|------|------|------|------|------|------|------|----|--|--|--|--|--|--|--|--|--|
| 1 | 2 | 3 | 4 | 5 | 6 | 7 | 8 | 9 | 10 | | | | | | | | | |
| 0 | 0 | 0.58 | 4.27 | 4.27 | 0 | 0 | 4.21 | 5.96 | 0 | | | | | | | | | |
| 11 | 12 | 13 | 14 | 15 | 16 | 17 | 18 | 19 | 20 | | | | | | | | | |
| 10.32 | 10.30 | 9.55 | 0 | 6.12 | 4.14 | 4.14 | 0.58 | 0 | 0 | | | | | | | | | |

IC 602 LB 1213

| | | | | | | | | | | | | | | | | | | |
|---|------|------|---|---|------|------|---|---|----|----|----|----|----|----|------|--|--|--|
| 1 | 2 | 3 | 4 | 5 | 6 | 7 | 8 | 9 | 10 | 11 | 12 | 13 | 14 | 15 | 16 | | | |
| 0 | 0.19 | 2.84 | 0 | 0 | 0.19 | 2.84 | 0 | 0 | 0 | 0 | 0 | 0 | 0 | 0 | 2.84 | | | |

IC 603 LB 1213

| | | | | | | | | | | | | | | | | | | |
|-----|-----|---|-----|---|-----|-----|---|---|----|----|----|----|----|----|----|--|--|--|
| 1 | 2 | 3 | 4 | 5 | 6 | 7 | 8 | 9 | 10 | 11 | 12 | 13 | 14 | 15 | 16 | | | |
| 1.9 | 1.9 | 0 | 0.2 | 0 | 0.2 | 1.9 | 0 | 0 | 0 | 0 | 0 | 0 | 0 | 0 | 0 | | | |

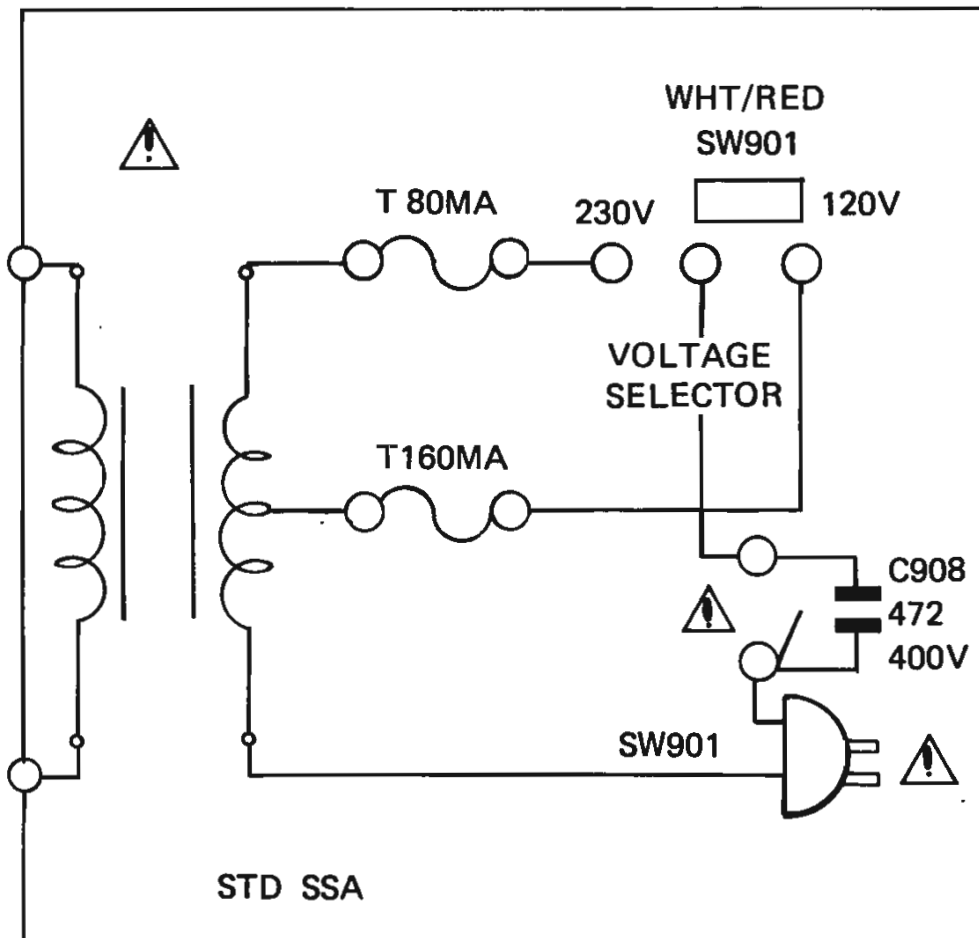
IC 605 LC 4966

| | | | | | | | | | | | | | | | | | | |
|-------|-----|-----|------|-------|---|---|------|------|------|------|----|----|-------|--|--|--|--|--|
| 1 | 2 | 3 | 4 | 5 | 6 | 7 | 8 | 9 | 10 | 11 | 12 | 13 | 14 | | | | | |
| 11.52 | 7.6 | 7.6 | 7.63 | 11.43 | 0 | 0 | 5.18 | 5.17 | 5.13 | 5.06 | 0 | 0 | 11.56 | | | | | |

| | |
|----|------|
| TR | Q901 |
| E | 11.7 |
| B | 12.4 |
| C | 17.3 |

| | |
|----|------|
| TR | Q902 |
| E | 11.7 |
| B | 12.4 |
| C | 17.3 |

6. POWER SUPPLY SECTION

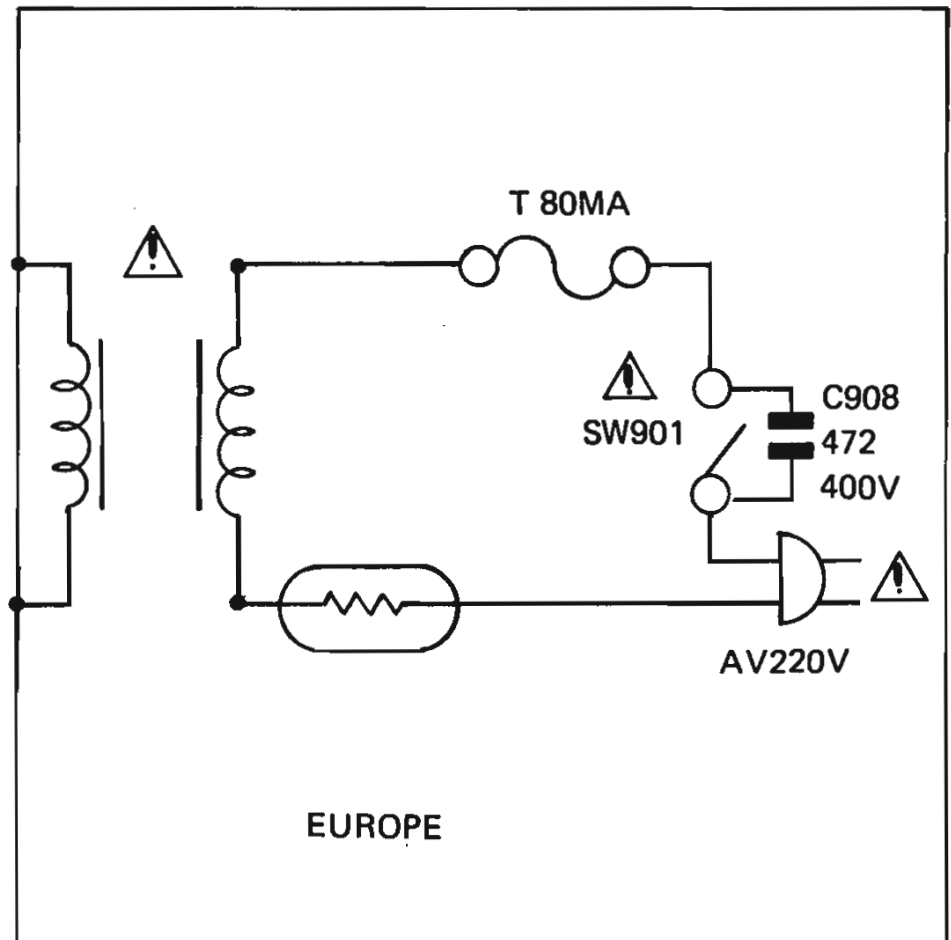
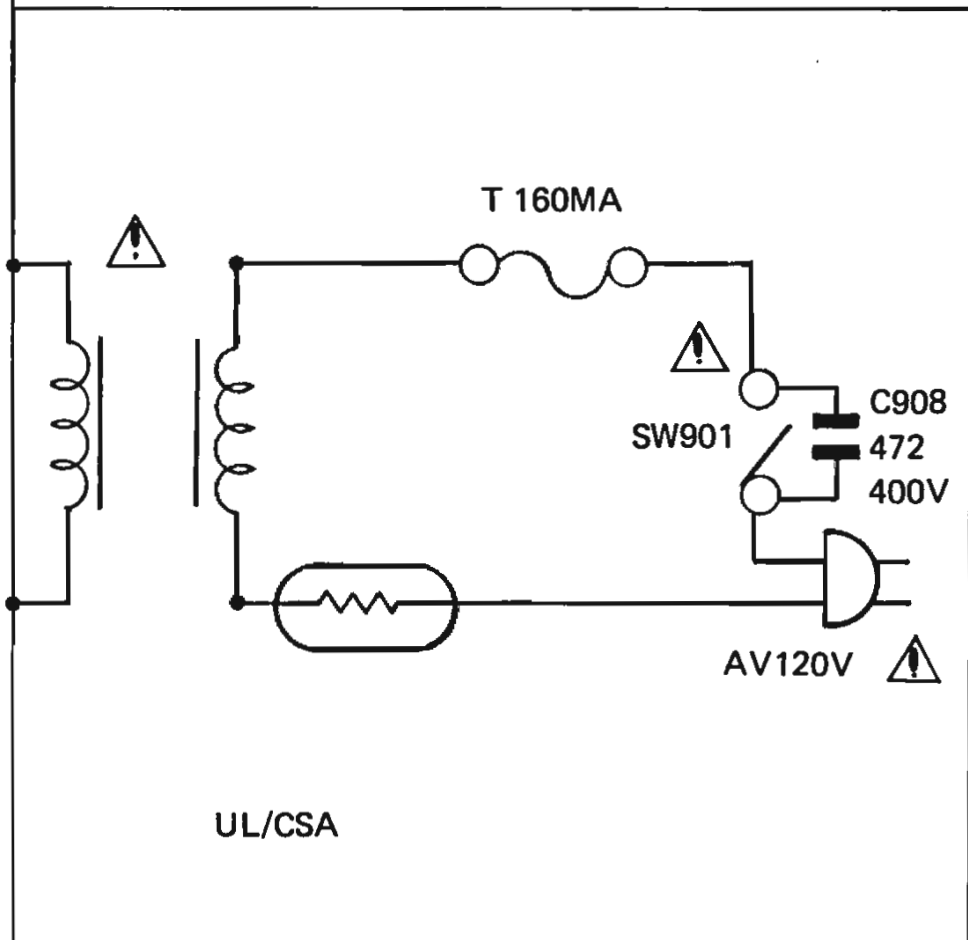


SYMBOL OF FUNCTION

- (m) POWER SUPPLY
- (P) FIXED PARTS
- △ Ceramic Capacitor

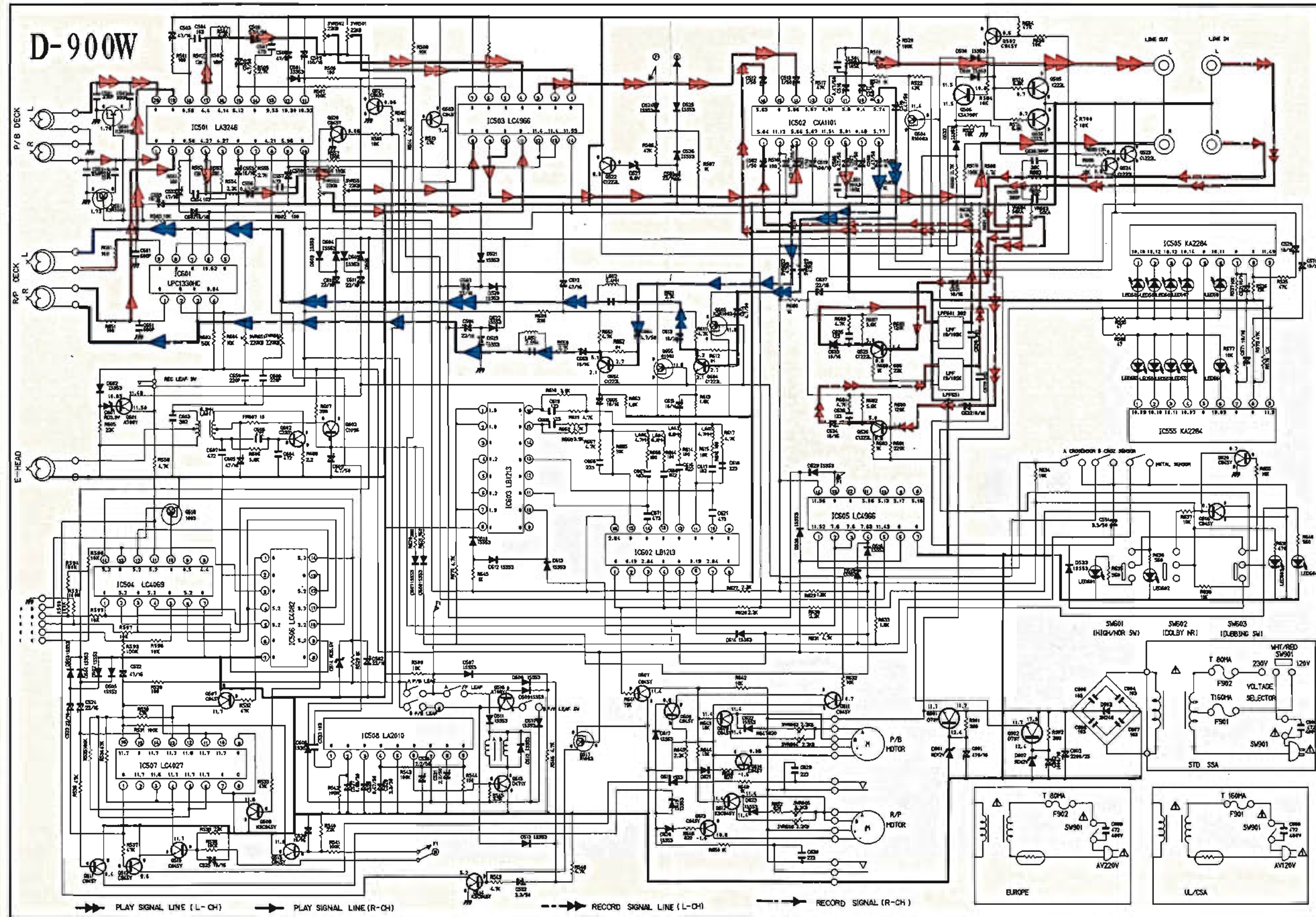
CAPACITORS

Are in uF unless otherwise Noted p: PF
 △ is safety part use only
 replacement parts
 recommended by the
 manufacturer

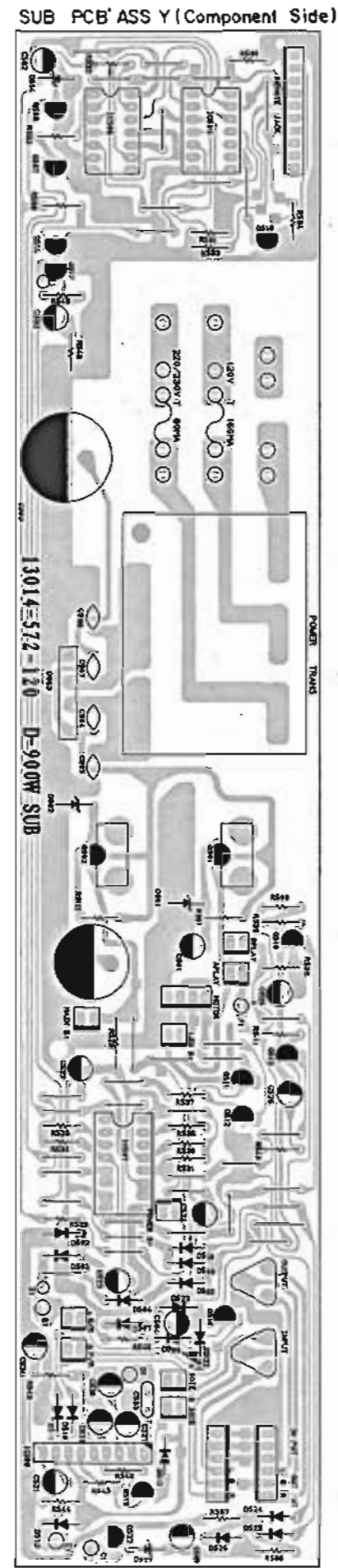
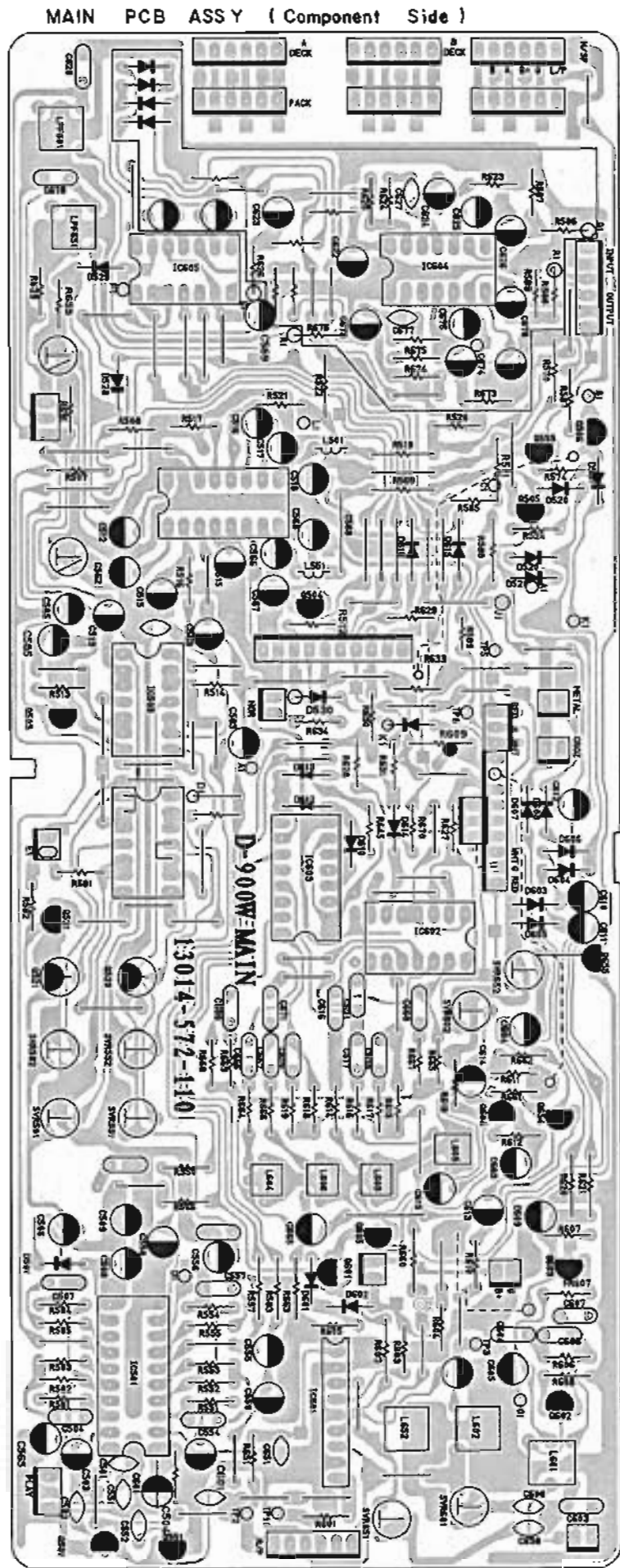


7. SCHEMATIC DIAGRAM

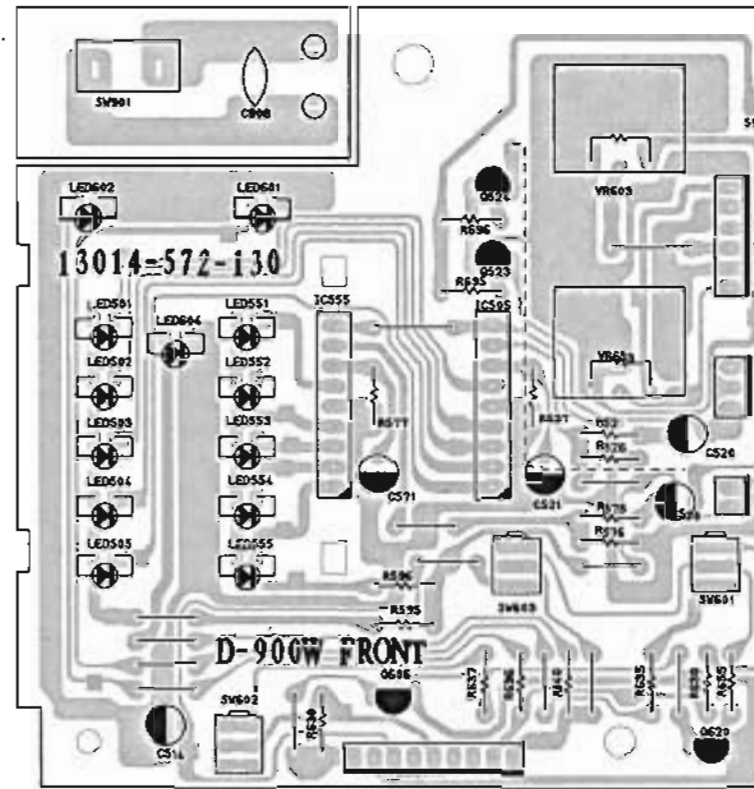
SANSUI ELECTRIC CO., LTD



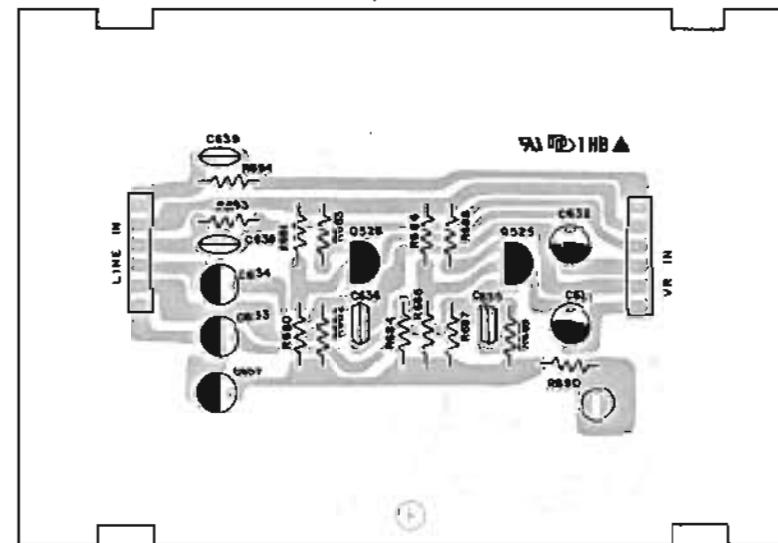
8. PARTS LOCATION OF CIRCUIT BOARD



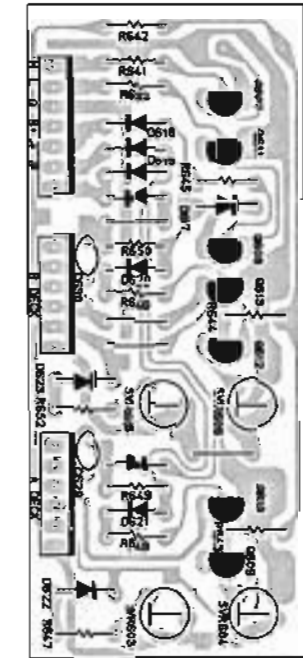
Front PCB ASSY (Component Side)



SIDE PCB ASSY (Component)



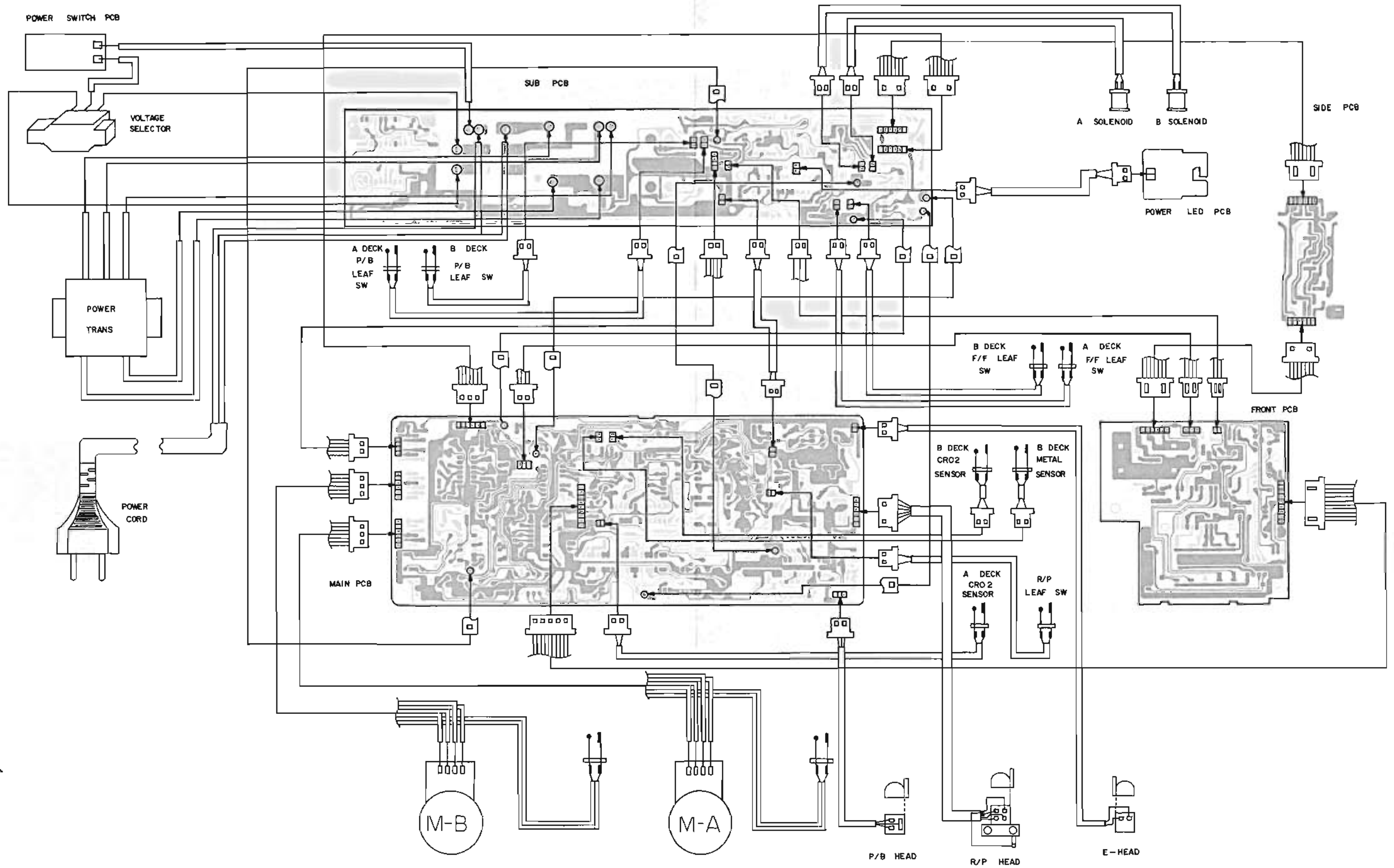
MOTOR CONTROL PCB ASSY



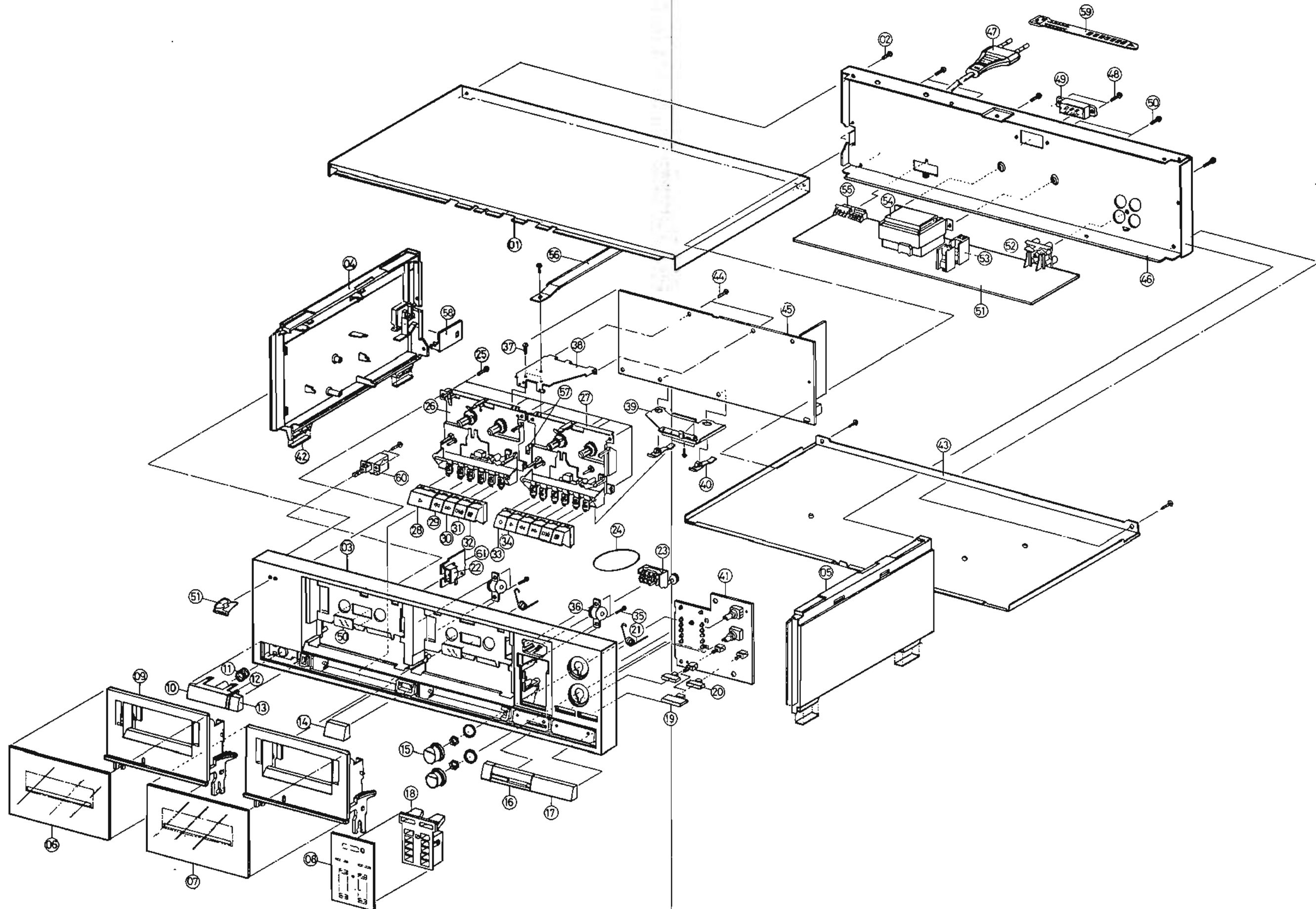
POWER LED PCB ASSY



9. WIRING DIAGRAM

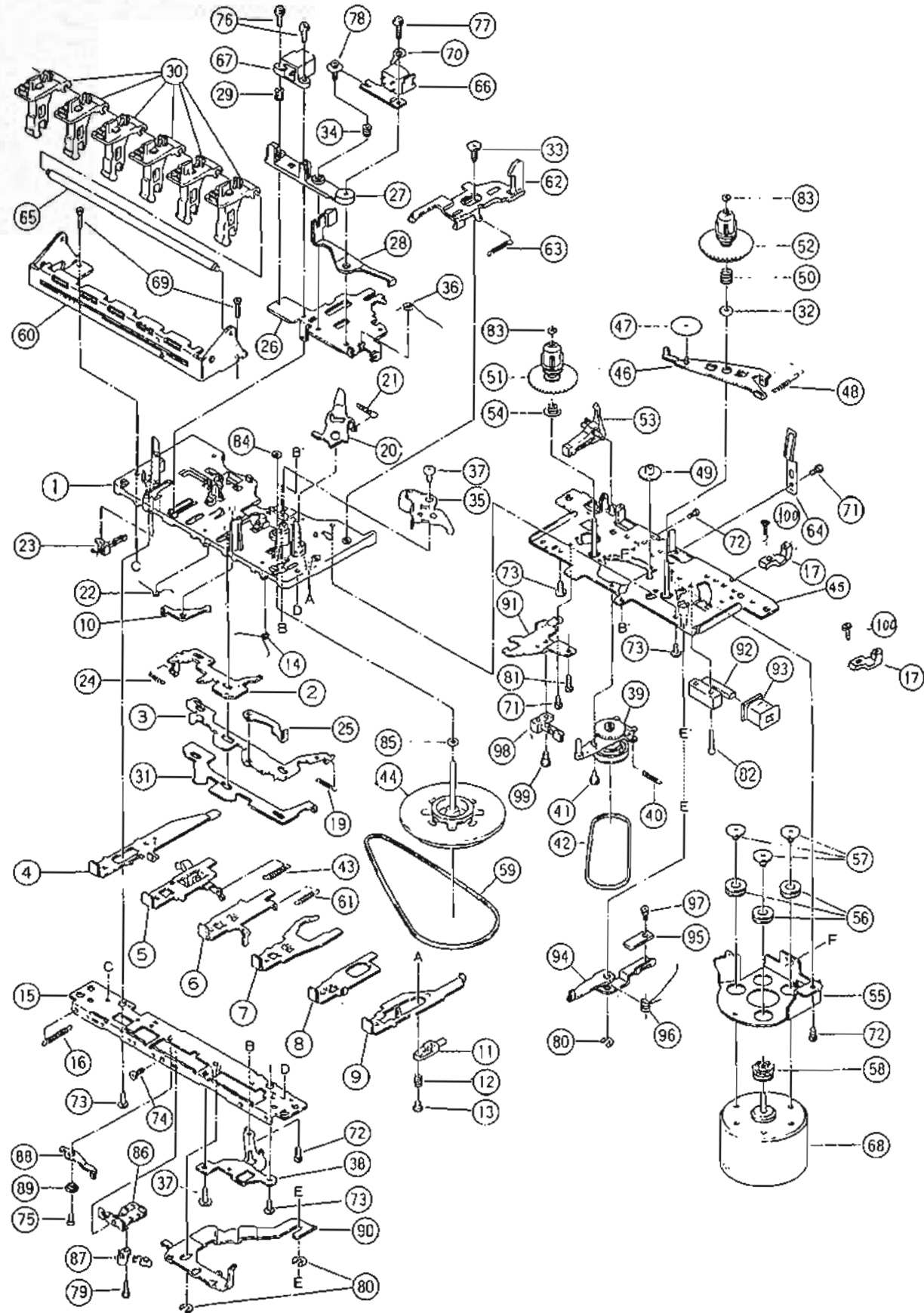


0. SET MECHANICAL EXPLODED VIEW

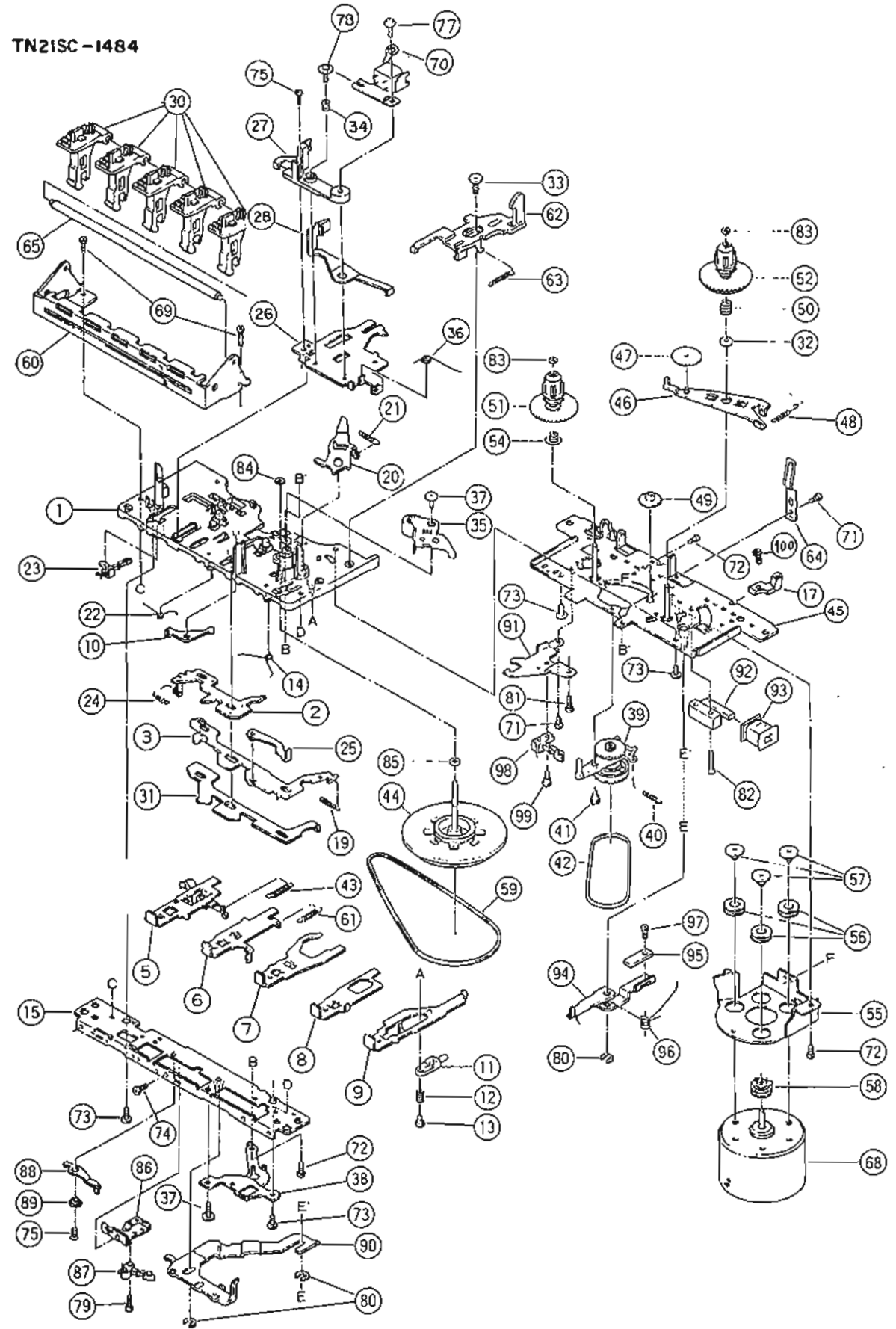


11. DECK MECHANICAL EXPLODED VIEW

TN215C-1483



TN215C-1484



12. PARTS DESCRIPTION

ELECTRICAL PARTS

| PARTS NO. | DESCRIPTION | SPECIFICATION | STOCK NO. | Q'TY | REMARK |
|------------|--------------|---------------|-----------|------|--------|
| IC501 | IC-TAPE EQ | LA 3246 | 58634800 | 1 | |
| IC502 | IC-DOLBY | CXA 1101 | 58634400 | 1 | |
| IC503, 605 | IC-SWITCHING | LC 4966 | 48056800 | 2 | |
| IC505, 555 | IC-LED DRIVE | KA 2284 | 58634500 | 2 | |
| IC601 | IC-R/P SW | UPC 1330HC | 49323500 | 1 | |
| IC602, 603 | IC-TR ARREY | LB 1213 | 58635000 | 2 | |
| IC504 | IC-NOT GATE | LC 4069 BU | 58634600 | 1 | |
| IC506 | IC-AND GATE | LC 4082B | 58634900 | 1 | |
| IC507 | IC-FLIP FLOP | LC 4027B | 58570900 | 1 | |
| IC508 | IC-AMPS | LA 2010 | 58634700 | 1 | |
| Q501, 551 | TRANSISTOR | KSR-1003 | 58635900 | 2 | |
| Q520, 521 | TRANSISTOR | KSC-945Y | 03059501 | 2 | |
| Q503 | TRANSISTOR | KSC-945Y | 03059501 | 1 | |
| Q522 | TRANSISTOR | KSC-1222L | 03060101 | 1 | |
| Q504 | TRANSISTOR | KSR-1003 | 58635900 | 1 | |
| Q506 | TRANSISTOR | KSA-708Y | 58571400 | 1 | |
| Q505, 555 | TRANSISTOR | KSC-1222L | 03060101 | 2 | |
| Q502 | TRANSISTOR | KSC-945Y | 03059501 | 1 | |
| Q523, 524 | TRANSISTOR | KSC-1222L | 03060101 | 2 | |
| Q601 | TRANSISTOR | KSA-708Y | 58571400 | 1 | |
| Q602 | TRANSISTOR | KSC-2331 | 58635100 | 1 | |
| Q603 | TRANSISTOR | KSC-1096Y | 03059601 | 1 | |
| Q605, 655 | TRANSISTOR | KSR-1003 | 58635900 | 2 | |
| Q604, 654 | TRANSISTOR | KSC-1222L | 03060101 | 2 | |
| Q525, 526 | TRANSISTOR | KSC-1222L | 03060101 | 2 | |
| Q620 | TRANSISTOR | KSC-945Y | 03059501 | 1 | |
| Q606 | TRANSISTOR | KSC-945Y | 03059501 | 1 | |
| Q518 | TRANSISTOR | KSR-1003 | 58635900 | 1 | |
| Q507 | TRANSISTOR | KSC-945Y | 03059501 | 1 | |
| Q511 | TRANSISTOR | KSC-945Y | 03059501 | 1 | |
| Q512 | TRANSISTOR | KSC-945Y | 03059501 | 1 | |
| Q510 | TRANSISTOR | KSC-945Y | 03059501 | 1 | |
| Q508 | TRANSISTOR | KSC-945Y | 03059501 | 1 | |
| Q513 | TRANSISTOR | KSC-945Y | 03059501 | 1 | |
| Q514 | TRANSISTOR | KSC-945Y | 03059501 | 1 | |
| Q515 | TRANSISTOR | KSD-471Y | 03085901 | 1 | |

| PART NO. | DESCRIPTION | SPECIFICATION | STOCK NO. | Q'TY | REMARK |
|-------------------|----------------|-------------------|-----------|------|--------|
| Q516 | TRANSISTOR | KSA-708Y | 58571400 | 1 | |
| Q517 | TRANSISTOR | KSR-1003 | 58635900 | 1 | |
| Q607 | TRANSISTOR | KSC-945Y | 03059501 | 1 | |
| Q609 | TRANSISTOR | KSC-945Y | 03059501 | 1 | |
| Q610 | TRANSISTOR | KSC-945Y | 03059501 | 1 | |
| Q612 | TRANSISTOR | KSC-945Y | 03059501 | 1 | |
| Q613 | TRANSISTOR | KSC-945Y | 03059501 | 1 | |
| Q611 | TRANSISTOR | KSC-945Y | 03059501 | 1 | |
| Q901 | TRANSISTOR | KSD-73Y | 58571700 | 1 | |
| Q902 | TRANSISTOR | KSD-73Y | 58571700 | 1 | |
| Q608 | TRANSISTOR | KSC-945Y | 03059501 | 1 | |
| D901, 902 | DIODE-ZENER | 1W11.4-12.6V | 58572200 | 2 | |
| D527 | DIODE-ZENER | RD 6.8FB | 03169100 | 1 | |
| D514 | DIODE-ZENER | RD 5.6FB | 03168700 | 1 | |
| LED501-505 | LED LAMP | SLV-31 DC3 | 48259400 | 5 | |
| LED 551-555 | LED LAMP | SLV-31 DC3 | 48259400 | 5 | |
| LED 604, 602 | LED-LAMP | SLV-31 VC3 | 58635200 | 1 | |
| LED 603 | LED-LAMP | SEL-3913K | 48849300 | 2 | |
| LED 601 | LED-LAMP | SLV-31 DC3 | 48259400 | 1 | |
| | DIODE-SW | 1SS53/1N4148 | 58572000 | 47 | |
| D903 | DIODE-BRIDGE | 3N246 1A 50V | 58571900 | 1 | |
| SW601, 602 603 | SW-PUSH | SPH 221A | 58573900 | 3 | |
| VR603, 604 | VR-SINGLE | RK12K1140-50KA | 58634300 | 2 | |
| SVR501, 502 | SEMI-VR | SR19R B22K | 58570200 | 2 | |
| SVR551, 552 | SEMI-VR | SR19R B22K | 58570200 | 2 | |
| SVR601, 651 | SEMI-VR | SR19R B220K | 58570400 | 2 | |
| SVR603, 604 | SEMI-VR | SR19R B2.2K | 58570500 | 2 | |
| SVR605, 606 | SEMI-VR | SR19R B2.2K | 58570500 | 2 | |
| SVR602, 652 | SEMI-VR | SR19R B47K | 58675200 | 2 | |
| L653, 654 | COIL-CAN | AE 4.7MH 252K | 58635300 | 2 | |
| L603, 604 | COIL-CAN | AE 6.8MH 252K | 58635400 | 2 | |
| L602, 652 | COIL-CAN | AM 2.2M HF | 58635600 | 2 | |
| L601 | BIAS OSC COIL | 6.2MH 105K | 58635500 | 1 | |
| △SW901 | SW-POWER | SDLC 1P (250V 4A) | 58574100 | 1 | |
| | JACK-AUX | 4P | 58573700 | 1 | |
| LPF601, 651 | FILTER-LOWPASS | 10MM 19/105K | 58635800 | 2 | |

SET MECHANICAL PARTS

| PART NO. | DESCRIPTION | SPECIFICATION | STOCK NO. | Q'TY | REMARK |
|----------|---------------------|------------------|-----------|------|--------|
| 1 | CABINET-TOP | 0.9T VINYL STEEL | 58636100 | 1 | |
| 2 | SCREW-TAP, RH | 2S-3x10FE FZB | 00441000 | 5 | |
| 3 | PANEL-FRONT | HIPS BLK | 58636000 | 1 | |
| 4 | CABINET-SIDE L | HIPS BLK | 58636200 | 1 | |
| 5 | CABINET-SIDE R | HIPS BLK | 58636300 | 1 | |
| 6 | WINDOW-DOOR A | ACRYL 2.0t CLR | 58636400 | 1 | |
| 7 | WINDOW-DOOR B | ACRYL 2.0t CLR | 58636500 | 1 | |
| 8 | WINDOW-LEVEL | ACRYL 2.0t SMOKE | | 1 | |
| 9 | DOOR-CASSETTE | ABS 94HB BLK | 58636600 | 2 | |
| 10 | KNOB-POWER | ABS 94HB BLK | 58636700 | 1 | |
| 11 | SPRING-POWER | STS 27 | 58636800 | 1 | |
| 12 | LENS-POWER | ACRYL MILKY | | 1 | |
| 13 | DECO-FRONT 12 | ABS 94HB BLK | | 2 | |
| 14 | DECO-FRONT 22 | ABS 94HB BLK | | 1 | |
| 15 | KNOB-ROTARY | ABS 94HB BLK | 58636900 | 2 | |
| 16 | DECO-FRONT DOLBY | ABS 94HB BLK | | 1 | |
| 17 | DECO-FRONT 52 | ABS 94HB BLK | | 1 | |
| 18 | HOLDER-LEVEL | ABS WHT | | 1 | |
| 19 | KNOB-DOLBY | ABS 94HB BLK | 58637000 | 1 | |
| 20 | KNOB-SELECTOR | ABS 94HB BLK | 58637100 | 2 | |
| 21 | SPRING-EJECT | PWR | 58637200 | 2 | |
| 22 | HOLDER-P/LED | ABS WHT | 58637300 | 1 | |
| 23 | TAPE-COUNTER | EMR 320-006-HB | 58637400 | 1 | |
| 24 | BELT-COUNTER | CR-WRT PI55 | 58637500 | 1 | |
| 25 | SCREW-TAP TITE, BH | B-3x8 FE FZY | 14335700 | 8 | |
| 26 | DECK-MECHANISM-A | TN 21SC-1484 | 58637600 | 1 | |
| 27 | DECK-MECHANISM-B | TN 21SC-1483 | 58637700 | 1 | |
| 28 | KNOB-CHASS (PLAY L) | ABS 94HB BLK | 58637800 | 1 | |
| 29 | KNOB-CASS (REW) | ABS 94HB BLK | 58637900 | 2 | |
| 30 | KNOB-CASS (F, FWD) | ABS 94HB BLK | 58638000 | 2 | |
| 31 | KNOB-CASS (ST/EJ) | ABS 94HB BLK | 58638100 | 2 | |
| 32 | KNOB-CASS (PAUSE) | ABS 94HB BLK | 58638200 | 2 | |
| 33 | KNOB-CASS (REC) | ABS 94HB BLK | 58638300 | 1 | |
| 34 | KNOB-CASS (PLAY S) | ABS 94HB BLK | 58638400 | 1 | |
| 35 | SCREW-TAP TITE, PH | P-3x10 FE FZY | 14335700 | 4 | |
| 36 | DAMPER-GEAR ASS'Y | PD-50 G332 | 58638500 | 2 | |
| 37 | SCREW-TAP, BH SPEC | 2S-2x6 FE FZB | 00440300 | 4 | |

| PARTS NO. | DESCRIPTION | SPECIFICATION | STOCK NO | Q'TY | REMARK |
|-----------|---------------------|-------------------------|----------|------|------------|
| 38 | BRKT-DECK A | EGI 0.8T | | 1 | |
| 39 | BRKT-DECK B | EGI 0.8T | | 1 | |
| 40 | HOLDER-PWB | NYLON 66 | | 2 | |
| 41 | FRONT-PCB ASS'Y | 101x96x1.6T HB | 58638600 | 1 | |
| 42 | CUSHION-FOOT | RUBBER BLK 2T | 58638700 | 4 | |
| 43 | CHASSIS-BOTTOM | EGI 0.8T | | 1 | |
| 44 | SCREW-TAP, RH SPEC | 2S-3x8 FE FZY | 00440900 | 2 | |
| 45 | MAIN-PCB ASS'Y | 247x97x1.6T IHB-O | 58638800 | 1 | |
| 46 | CHASSIS-REAR | EGI 0.8T BLK | | 1 | |
| △ 47 | POWER-CORD | KKP-419C KLCZ-2F | 58582500 | 1 | (EU) |
| △ | | KKP-10 SPT-1# 18 | 58573300 | 1 | (STD) |
| △ | | KP-8H LTCE-2F 6.5F | 58573400 | 1 | (SSA) |
| △ | | KKP-8 SPT-2# 28 7F | 58582100 | 1 | (UL, CSA) |
| 48 | SCREW-TAP, RH | 2S-3x10 FE FZB | 00441000 | 2 | |
| 49 | SW-SLIDE | 250V 3A 4KV | 58638900 | 1 | |
| 50 | SCREW-TAP, RH | 2S-3x10 FE FZB | 00441000 | 2 | |
| △ 51 | SUB-PCB ASS'Y | 247x61x1.6T 1V-O | 58639000 | | |
| 52 | JACK-AUX | 4P | 58639100 | 1 | |
| 53 | HEAT-SINK | EXTRAL WHT | | 1 | |
| △ 54 | POWER-TRANS | EI 48x18.5M/M 220V | 58639200 | 1 | (EU) |
| △ | | EI 48x18.5M/M 120V/230V | 58639300 | 1 | (STD, SSA) |
| △ | | EI 48x18.5M/M 120V | 58639400 | 1 | (UL, CSA) |
| 55 | REMOTE-JACK | W-P5510-11 10PIN | 48313900 | 1 | |
| 56 | BRKT-CROSS | EGI 0.8T | | 1 | |
| 57 | BRKT-LEAF S/W | EGI 0.8T | | 1 | |
| 58 | COVER-CORD | ABS 94HB BLK | 58664700 | 1 | |
| 59 | BAND-CORD WIRE | ASB 94HB BLK | | 1 | |
| △ 60 | SWITCH-POWER | SDLCIP | 58574100 | 1 | |
| 61 | POWER LED PCB ASS'Y | 34x25.5x1.6T 1HB | 58635700 | 1 | |

DECK MECHANICAL PARTS (TN21SC-1483)

*SNA (SERVICE NOT AVAILABLE)

| NO. | DESCRIPTION | SPECIFICATION | STOCK NO. | Q'TY | REMARK |
|-----|--------------------------|---------------|-----------|------|--------|
| 1 | MAIN BASE ASS'Y | 1821-01-60D | | 1 | SNA |
| 2 | SWITCH PLATE | 1821-01-05 | | 1 | SNA |
| 3 | PUSH BUTTON ACTUATOR (S) | 1821-01-162 | | 1 | SNA |
| 4 | REC BUTTON LEVER | 1821-01-28A | | 1 | SNA |
| 5 | PLAY BUTTON LEVER ASS'Y | 1821-01-520 | | 1 | SNA |
| 6 | RWD BUTTON LEVER | 1821-01-137 | | 1 | SNA |

| NO. | DESCRIPTION | SPECIFICATION | STOCK NO. | Q'TY | REMARK |
|-----|--------------------------|---------------|-----------|------|--------|
| 7 | FF BUTTON LEVER | 1821-01-117 | | 1 | SNA |
| 8 | STOP BUTTON LEVER | 1821-01-32 | | 1 | SNA |
| 9 | PAUSE BUTTON LEVER ASS'Y | 1821-01-503 | | 1 | SNA |
| 10 | REW LEVER | 1821-01-68 | | 1 | SNA |
| 11 | PAUSE LEVER | 1821-01-131 | 58674600 | 1 | |
| 12 | PAUSE LEVER SPRING | 1821-01-16 | | 1 | SNA |
| 13 | PAUSE STOPPER | 1821-01-34 | 58674700 | 1 | |
| 14 | BUTTON LEVER SPRING (C) | 1821-01-23 | | 1 | SNA |
| 15 | SUB PLATE ASS'Y | 1821-39-501 | | 1 | SNA |
| 16 | BUTTON LEVER SPRING (A) | 1821-01-07 | | 1 | SNA |
| 17 | LEAF SW MSW-1664 | 6401-01-125 | 58672100 | 2 | |
| 18 | | | | | |
| 19 | ACTUATOR SPRING | 1821-01-22 | | 1 | SNA |
| 20 | AUTO LEVER | 1821-01-62 | 58674800 | 1 | |
| 21 | AUTO LEVER SPRING | 1821-01-132 | | 1 | SNA |
| 22 | FF BUTTON LEVER SPRING | 1821-01-138 | | 1 | SNA |
| 23 | LEAF SWITCH | MSW-1541T | 58672200 | 1 | |
| 24 | SWITCH ACTUATOR SPRING | 1821-01-38 | | 1 | SNA |
| 25 | E KICK LEVER | 1821-01-65 | | 1 | SNA |
| 26 | HEAD PANEL | 1821-03-13 | | 1 | SNA |
| 27 | HEAD BASE | 1829-03-02 | 58674900 | 1 | |
| 28 | SENSING PLATE ASS'Y | 1821-03-301 | 58675000 | 1 | |
| 29 | E.H. SPRING | 1821-03-08 | | 1 | SNA |
| 30 | OPERATION LEVER | 1821-31-07 | | 6 | |
| 31 | T.P.S ACTUATOR | 1821-01-144 | | 1 | SNA |
| 32 | T.G. PLATE COLLER | 1821-10-63 | | 1 | SNA |
| 33 | P.M.E. SCREW | 1821-13-05 | | 1 | SNA |
| 34 | AZIMUTH SPRING | 1821-03-07 | 58672300 | 1 | SNA |
| 35 | PINCH ROLLER ARM ASS'Y | 1821-04-303 | 58672400 | 1 | SNA |
| 36 | PINCH ROLLER SPRING | 1821-04-06 | | 1 | SNA |
| 37 | MS SCREW | 1821-39-12 | | 2 | SNA |
| 38 | METAL GUIDE | 1821-39-19 | | 1 | SNA |
| 39 | RF CLUTCH ASS'Y | 1821-07-347 | 58672500 | 1 | |
| 40 | RF PULLEY ARM SPRING | 1821-07-10 | | 1 | SNA |
| 41 | RF ARM COLLER SCREW | 1821-07-21 | | 1 | SNA |
| 42 | RF BELT | 1821-07-11 | 58672600 | 1 | |
| 43 | RC SPRING | 1821-01-192 | | 1 | SNA |
| 44 | FLY WHEEL ASS'Y | 1821-09-301 | | 1 | SNA |
| 45 | REEL BASE ASS'Y | 1821-10-519 | | 1 | SNA |
| 46 | TAKE UP GEAR PLATE ASS'Y | 1821-10-517 | | 1 | SNA |

| NO. | DESCRIPTION | SPECIFICATION | STOCK NO. | Q'TY | REMARK |
|-----|------------------------------|---------------|-----------|------|--------|
| 47 | TAKE UP ROLLER GEAR | 1821-10-34A | 58672700 | 1 | |
| 48 | TG PLATE SPREING (C) | 1821-10-40 | | 1 | SNA |
| 49 | FF GEAR | 1821-10-35 | 58672800 | 1 | SNA |
| 50 | BACK TENSION SPRING | 1821-10-46 | | 1 | SNA |
| 51 | SUPPLY REEL ASS'Y | 1821-10-309 | 58672900 | 1 | |
| 52 | TAKE UP REEL ASS'Y | 1821-10-319 | 58673000 | 1 | |
| 53 | RECORD SAFETY LEVER | 1821-10-69 | | 1 | SNA |
| 54 | BACK TENSION SPRING | 1829-10-10 | | 1 | SNA |
| 55 | MOTOR BRACKET | 1821-12-67 | | 1 | SNA |
| 56 | MOTOR RUBBER | 1820-13-06 | 58673100 | 3 | SNA |
| 57 | MOTOR COLLER SCREW | 1821-12-02 | 58673200 | 3 | SNA |
| 58 | MOTOR PULLEY | 1821-12-32 | 58673300 | 1 | |
| 59 | MAIN BELT | 1821-12-138 | 58673400 | 1 | |
| 60 | BUTTON FLAME (S) | 1821-31-06 | | 1 | SNA |
| 61 | MAIN PLATE SPRING | 1260-10-07 | | 1 | SNA |
| 62 | EJECT SLIDE LEVER | 1821-13-04 | | 1 | |
| 63 | EJECT SLIDE LEVER SPRING | 1821-13-02 | | 1 | SNA |
| 64 | PACK SPRING | 1829-10-01 | | 1 | |
| 65 | BUTTON LEVER SHAFT | 1829-31-03 | | 1 | SNA |
| 66 | R.P. HEAD | CR0991 | 58673500 | 1 | |
| 67 | E. HEAD | E921PK | 58673600 | 1 | |
| 68 | MOTOR | R146416 | 58673700 | 1 | |
| 69 | SCREW F(R CAMERA) M2x7 | 9982-00-00 | | 2 | SNA |
| 70 | 3B LUG | 9480-00-00 | | 1 | SNA |
| 71 | C TAPPING SCREW M2x3 | 9179-00-00 | | 2 | SNA |
| 72 | C TAPPING SCREW M2x4 | 9180-00-00 | | 3 | SNA |
| 73 | P TAPPING BIND SCREW M2x5 | 9679-00-00 | | 4 | SNA |
| 74 | SCREW (FOR CAMERA) M2x2.5 | 9828-00-00 | | 1 | SNA |
| 75 | FH SCREW (FOR CAMERA) M2x2.5 | 9566-00-00 | | 1 | SNA |
| 76 | + - CAP SCREW M2x8 | 9821-00-00 | 58673800 | 2 | SNA |
| 77 | + - CAP SCREW M2x7 | 9820-00-00 | 58673900 | 1 | SNA |
| 78 | AZIMUTH SCREW M2x7 | 9922-00-00 | 58674000 | 1 | SNA |
| 79 | SCREW (FOR CAMERA) M1.7x4.5 | 9834-00-00 | 58674100 | 1 | SNA |
| 80 | E RING S2.0 | 9502-00-00 | | 3 | SNA |
| 81 | C TAPPING SCREW M2x5 | 9181-00-00 | | 1 | SNA |
| 82 | C TAPPING SCREW M2x9 | 9189-00-00 | | 1 | SNA |
| 83 | P WASHER CUT 1.2x3.7x0.4 | 9999-03-07 | | 2 | SNA |
| 84 | P WASHER CUT 1.55x3.8x0.5 | 9875-00-00 | | 1 | SNA |
| 85 | P WASHER CUT 2.05x4x0.5 | 9999-00-04 | | 1 | SNA |
| 86 | F.R SWITCH BRACKET | 1821-39-14A | | 1 | SNA |

| NO. | DESCRIPTION | SPECIFICATION | STOCK NO. | Q'TY | REMARK |
|-----|--------------------------|---------------|-----------|------|--------|
| 87 | LEAF SWITCH | MSW-1482CV | 58674200 | 1 | |
| 88 | RC LEVER (C) | 1821-39-18 | | 1 | SNA |
| 89 | MTA COLLER | 1829-39-15 | | 1 | SNA |
| 90 | RC SLIDE LEVER | 1821-39-08 | | 1 | SNA |
| 91 | SWITCH BRACKET | 1821-01-191 | | 1 | SNA |
| 92 | CORE | 1865-20-02 | 58674300 | 1 | SNA |
| 93 | COIL ASS'Y | 1850-28-12 | 58674400 | 1 | |
| 94 | KICK ARM (A) | 1821-42-01 | | 1 | SNA |
| 95 | ARMATURE PIECE (A) | 1821-42-02 | | 1 | SNA |
| 96 | KICK ARM SPRING (A) | 1821-42-04 | | 1 | SNA |
| 97 | RF ARM COLLAR SCREW | 1867-04-13 | | 1 | SNA |
| 98 | LEAF SWITCH | MSW-0025NBK | 58674500 | 1 | |
| 99 | F.R. SWITCH COLLER SCREW | 1829-10-13 | | 1 | SNA |
| 100 | CAP TAPPING SCREW 2x5 | 9661-00-00 | | 2 | SNA |

DECK MECHANICAL PARTS (TN21SC-1484)

*SNA (SERVICE NOT AVAILABLE)

| NO. | DESCRIPTION | SPECIFICATION | STOCK NO. | Q'TY | REMARK |
|-----|--------------------------|---------------|-----------|------|--------|
| 1 | MAIN BASE ASS'Y | 1821-01-60D | | 1 | SNA |
| 2 | SWITCH PLATE | 1821-01-05 | | 1 | SNA |
| 3 | PUSH BUTTON ACTUATOR (S) | 1821-01-162 | | 1 | SNA |
| 4 | | | | | SNA |
| 5 | PLAY BUTTON LEVER ASS'Y | 1821-01-520 | | 1 | SNA |
| 6 | RWD BUTTON LEVER | 1821-01-137 | | 1 | SNA |
| 7 | FF BUTTON LEVER | 1821-01-117 | | 1 | SNA |
| 8 | STOP BUTTON LEVER | 1821-01-32 | | 1 | SNA |
| 9 | PAUSE BUTTON LEVER ASS'Y | 1821-01-503 | | 1 | SNA |
| 10 | REW LEVER | 1821-01-68 | | 1 | SNA |
| 11 | PAUSE LEVER | 1821-01-131 | 58674600 | 1 | |
| 12 | PAUSE LEVER SPRING | 1821-01-16 | | 1 | SNA |
| 13 | PAUSE STOPPER | 1821-01-34 | 58674700 | 1 | |
| 14 | BUTTON LEVER SPRING (C) | 1821-01-23 | | 1 | SNA |
| 15 | SUB PLATE ASS'Y | 1821-39-501 | | 1 | SNA |
| 16 | | | | | SNA |
| 17 | LEAF SW MSW-1664 | 6401-01-149 | 58672100 | 1 | SNA |
| 18 | | | | | SNA |
| 19 | ACTUATOR SPRING | 1821-01-22 | | 1 | SNA |

| NO. | DESCRIPTION | SPECIFICATION | STOCK NO. | Q'TY | REMARK |
|-----|--------------------------|---------------|-----------|------|--------|
| 20 | AUTO LEVER | 1821-01-62 | 58674800 | 1 | |
| 21 | AUTO LEVER SPRING | 1821-01-132 | | 1 | SNA |
| 22 | FF BUTTON LEVER SPRING | 1821-01-138 | | 1 | SNA |
| 23 | LEAF SWITCH | MSW-1541T | 58672200 | 1 | |
| 24 | SWITCH ACTUATOR SPRING | 1821-01-38 | | 1 | SNA |
| 25 | E KICK LEVER | 1821-01-65 | | 1 | SNA |
| 26 | HEAD PANEL | 1821-03-16 | | 1 | SNA |
| 27 | HEAD BASE | 1821-03-02 | 58674900 | 1 | |
| 28 | SENSING PLATE ASS'Y | 1821-03-301 | 58675000 | 1 | |
| 29 | | | | | |
| 30 | OPERATION LEVER | 1821-31-07 | 58675100 | 5 | |
| 31 | T.P.S ACTUATOR | 1821-01-144 | | 1 | SNA |
| 32 | T.G. PLATE COLLER | 1821-10-63 | | 1 | SNA |
| 33 | P.M.E. SCREW | 1821-13-05 | | 1 | SNA |
| 34 | AZIMUTH SPRING | 1821-03-07 | 58672300 | 1 | SNA |
| 35 | PINCH ROLLER ARM ASS'Y | 1821-04-303 | 58672400 | 1 | |
| 36 | PINCH ROLLER SPRING | 1821-04-06 | | 1 | SNA |
| 37 | MS SCREW | 1821-39-12 | | 2 | SNA |
| 38 | METAL GUIDE | 1821-39-19 | | 1 | SNA |
| 39 | RF CLUTCH ASS'Y | 1821-07-347 | 58672500 | 1 | SNA |
| 40 | RF PULLEY ARM SPRING | 1821-07-10 | | 1 | SNA |
| 41 | RF ARM COLLER SCREW | 1821-07-21 | | 1 | SNA |
| 42 | RF BELT | 1821-07-11 | 58672600 | 1 | |
| 43 | RC SPRING | 1821-01-192 | | 1 | SNA |
| 44 | FLY WHEEL ASS'Y | 1821-09-301 | | 1 | SNA |
| 45 | REEL BASE ASS'Y | 1821-10-519 | | 1 | SNA |
| 46 | TAKE UP GEAR PLATE ASS'Y | 1821-10-517 | | 1 | SNA |
| 47 | TAKE UP ROLLER GEAR | 1821-10-34A | 58672700 | 1 | |
| 48 | TG PLATE SPREING (C) | 1821-10-40 | | 1 | SNA |
| 49 | FF GEAR | 1821-10-35 | 58672800 | 1 | SNA |
| 50 | BACK TENSION SPRING | 1821-10-46 | | 1 | SNA |
| 51 | SUPPLY REEL ASS'Y | 1821-10-309 | 58672900 | 1 | |
| 52 | TAKE UP REEL ASS'Y | 1821-10-319 | 58673000 | 1 | SNA |
| 53 | | | | | |
| 54 | BACK TENSION SPRING | 1829-10-10 | | 1 | SNA |
| 55 | MOTOR BRACKET | 1821-12-67 | | 1 | SNA |
| 56 | MOTOR RUBBER | 1820-13-06 | 58673100 | 3 | SNA |
| 57 | MOTOR COLLER SCREW | 1821-12-02 | 58673200 | 3 | SNA |
| 58 | MOTOR PULLEY | 1821-12-32 | 58673300 | 1 | |
| 59 | MAIN BELT | 1821-12-138 | 58673400 | 1 | |

| NO. | DESCRIPTION | SPECIFICATION | STOCK NO. | Q'TY | REMARK |
|-----|------------------------------|---------------|-----------|------|--------|
| 60 | BUTTON FLAME (S) | 1821-31-06 | | 1 | SNA |
| 61 | MAIN PLATE SPRING | 1260-10-07 | | 1 | SNA |
| 62 | EJECT SLIDE LEVER | 1821-13-04 | | 1 | |
| 63 | EJECT SLIDE LEVER SPRING | 1821-13-02 | | 1 | SNA |
| 64 | PACK SPRING | 1829-10-01 | | 1 | |
| 65 | BUTTON LEVER SHAFT | 1829-31-03 | | 1 | SNA |
| 66 | R.P. HEAD | CR0991 | 58673500 | 1 | |
| 67 | | | | | |
| 68 | MOTOR | R146416 | 58673700 | 1 | |
| 69 | SHREW (FOR CAMERA) M2x7 | 9982-00-00 | | 2 | SNA |
| 70 | 3B LUG | 9480-00-00 | | 1 | SNA |
| 71 | C TAPPING SCREW M2x3 | 9179-00-00 | | 2 | SNA |
| 72 | C TAPPING SCREW M2x4 | 9180-00-00 | | 3 | SNA |
| 73 | P TAPPING BIND SCREW M2x5 | 9679-00-00 | | 4 | SNA |
| 74 | SCREW (FOR CAMERA) M2x2.5 | 9828-00-00 | | 1 | SNA |
| 75 | FH SCREW (FOR CAMERA) M2x2.5 | 9566-00-00 | | 1 | SNA |
| 76 | | | | | SNA |
| 77 | + - CAP SCREW M2x7 | 9820-00-00 | 58673900 | 1 | SNA |
| 78 | AZIMUTH SCREW M2x7 | 9922-00-00 | 58674000 | 1 | SNA |
| 79 | SCREW (FOR CAMERA) M1.7x4.5 | 9834-00-00 | 58674100 | 1 | SNA |
| 80 | E RING S2.0 | 9502-00-00 | | 3 | SNA |
| 81 | C TAPPING SCREW M2x5 | 9181-00-00 | | 1 | SNA |
| 82 | C TAPPING SCREW M2x9 | 9189-00-00 | | 1 | SNA |
| 83 | P WASHER CUT 1.2x3.7x0.4 | 9999-03-07 | | 2 | SNA |
| 84 | P WASHER CUT 1.55x3.8x.05 | 9875-00-00 | | 1 | SNA |
| 85 | P WASHER CUT 2.05x4x0.5 | 9999-00-04 | | 1 | SNA |
| 86 | F.R SWITCH BRACKET | 1821-39-14A | | 1 | SNA |
| 87 | LEAF SWITCH | MSW-1482CV | 58674200 | 1 | |
| 88 | RC LEVER (C) | 1821-39-18 | | 1 | SNA |
| 89 | MTA COLLER | 1829-39-15 | | 1 | SNA |
| 90 | RC SLIDE LEVER | 1821-39-08 | | 1 | SNA |
| 91 | SWITCH BRACKET | 1821-01-191 | | 1 | SNA |
| 92 | CORE | 1865-20-02 | 58674300 | 1 | SNA |
| 93 | COIL ASS'Y | 1850-28-12 | 58674400 | 1 | |
| 94 | KICK ARM (A) | 1821-42-01 | | 1 | SNA |
| 95 | ARMATURE PIECE (A) | 1821-42-02 | | 1 | SNA |
| 96 | KICK ARM SPRING (A) | 1821-42-04 | | 1 | SNA |
| 97 | RF ARM COLLAR SCREW | 1867-04-13 | | 1 | SNA |
| 98 | LEAF SWITCH | MSW-0025NBK | 58674500 | 1 | |
| 99 | F.R. SWITCH COLLER SCREW | 1829-10-13 | | 1 | SNA |
| 100 | CAP TAPPING SCREW 2x5 | 9661-00-00 | | 1 | SNA |

D-900W



SANSUI ELECTRIC CO., LTD.:

SANSUI ELECTRONICS CORPORATION:

SANSUI ELECTRONICS G.M.B.H.:

山水電気株式会社

14-1, Izumi 2-chome, Suginami-ku Tokyo 168 Japan
PHONE: (03) 324-8891/TELEX: 232-2076 (International Division)
1250 Valley Brook Ave. Lyndhurst, N.J. 07071 U.S.A.
17150 South Margay Ave. Carson, California 90746 U.S.A.
3036 Koapaka Street. Honolulu, Hawaii 96819 U.S.A.
Paul Ehrlich Strasse 8, 6074 Rödermark 2, West Germany

東京都杉並区和泉2-14-1 (〒168)

(SM2-91)

(Stock No. 36544700)